



MOSQUITO MAGNET®

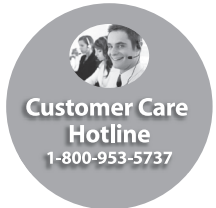
Advanced Mosquito Defense Systems



Leader in 360° Customer Support

- Customer Care Hotline: 1-800-953-5737
- Online Assistance Available
- Certified Service Locations

Find out more at www.mosquitomagnet.com



EXECUTIVE

*For Outdoor Use Only
1440-650*

Operation Manual



Welcome

Congratulations on your purchase of Mosquito Magnet®. Now you can begin to enjoy your outdoor living space again.

Mosquito Magnet® is the #1 mosquito trap in North America. Backed by 18 years of research and independent testing, Mosquito Magnet® is scientifically proven to effectively reduce mosquitoes & other biting insects from your yard.

Mosquito Magnet® is easy to use. The link www.mosquitomagnet.com/videos, provides key information for getting started. In this manual, you'll learn everything you need to know about how it works, optimal trap placement, maintenance, storage and warranty information. The keys to success are trap placement, utilization of the correct attractant for your area and routine maintenance. For optimal catch rate, you'll need to change the propane tank and attractant every 21 days.

Our Customer Care line is available to answer all your questions regarding your new purchase. Please feel free to contact us...

Customer Care: 1-800-953-5737

Visit us online at www.mosquitomagnet.com for additional information regarding Mosquito Magnet® tips, testimonials, and additional product offerings.

Woodstream® Corporation

69 North Locust Street
Lititz, PA 17543
1-800-953-5737
www.mosquitomagnet.com

The Mosquito Magnet® traps are covered by one or more of the following patents:

USA Nos. 5,813,166; 6,145,243; 6,286,249; 6,817,140;
6,840,005; 6,848,466; 6,892,492; 7,074,830; 7,243,458;
7,281,351; 7,293,387; 7,536,824; 7,614,180; 7,752,803;
7,987,631; 8,067,469; 8,051,601 and 8,141,291

Other patents pending

Made in China

FOR YOUR SAFETY

If you smell gas:

1. Shut off the gas to the appliance.
2. Extinguish any open flame.
3. Open lid.
4. If odor continues, immediately call your gas supplier or your fire department.

FOR YOUR SAFETY

1. Do not store or use gasoline or other flammable vapors and liquids in the vicinity of this or any other appliance.
2. An LP cylinder not connected for use shall not be stored in the vicinity of this or any other appliance.



MOSQUITO MAGNET®

Contents

Welcome/Contents	1-2
Cold Temperature Shutdown	3
Safety Instructions	4-5
Principle Parts	6
Assembly Instructions	7
Set-Up	8-10
Charging Instructions	
Trap Placement	
Propane Tank Installation	
Octenol Attractant Installation	
Instructions	11
Starting Instructions	
Shut Down Instructions	
When Not In Use	
End of Season Storage	
For Best Results	
Smart Technology	12
Maintenance	13
Maintenance	
Propane Tank Changing Tips	
Maintenance Schedule	
Troubleshooting	14
Limited Warranty	15

Questions or Comments

Please contact Woodstream® Corporation if you have any questions or experience any problems with your Mosquito Magnet®:
1-800-953-5737

Woodstream® Corporation
 69 North Locust Street
 Lititz, PA 17543

www.mosquitomagnet.com

Model No.:	Executive
Serial No.:	
Type of Gas:	Propane
Manifold Pressure:	100 – 110 psi
Minimum Gas Supply Pressure:	11.0 in. WC
Input Rating:	759 Btu/Hr.
Minimum Clearances:	20 – 24"



How the Mosquito Magnet® Works

Mosquitoes and other biting insects use the long-range attractant carbon dioxide (CO₂) to locate people. Once in close proximity, mosquitoes use short-range attractants such as scents emitted from the skin, to determine which person they are going to bite. The Mosquito Magnet® mimics a human by converting propane to CO₂, with its patented catalytic conversion technology, in combination with a short-range attractant.

Attracted by the CO₂ and short-range attractant, mosquitoes and other biting insects are drawn to the Mosquito Magnet®. When they reach the trap, the insects are vacuumed into a bug bag by our patented Counterflow Technology™, where they dehydrate and die within 24 hours.

The Mosquito Magnet® is silent, odorless and runs 24/7. When properly placed in your yard, the **trap begins working immediately. Noticeable results can be achieved in 7 to 10 days.** To greatly reduce your biting insect population, allow 4 weeks. Leave the Mosquito Magnet® out all summer long, to control the mosquito population in your yard.

Only biting insects are targeted including mosquitoes, no-see-ums, black flies and midges. Beneficial insects such as butterflies, bees or moths are not targeted.



MOSQUITO MAGNET®

Cold Temperature Shutdown

The trap has a temperature sensor that can be used to automatically put the trap in a standby mode when the outdoor air temperature and the trap temperature are both below a **user selectable** set point. Research has shown that there is very little mosquito activity when the air temperature drops below 50°F (10°C). However, in some locations and with some mosquito species, activity can continue at temperatures below 50°F (10°C). The trap has a **user selectable** cold temperature shutdown point starting at 50°F (10°C) and incrementing down in increments of 5°F (2.8°C) to a minimum temperature of 30°F (-1°C). **The default setting on the trap is no cold temperature shutdown.**

To access the Cold Temperature Shutdown parameters, press and hold the Mode button for at least 3 seconds until the Cold Temperature Shutdown menu appears. Toggle through the temperature choices by pressing the Mode button, beginning with Off (blank) and then to 30, 35, 40, 45, and 50 (°F). Continuing to toggle the Mode button after 50 will return to Off (blank) and then repeat the cycle. Once a temperature choice has been made, stop pressing the Mode button; wait approximately 3 seconds; and your temperature choice will be automatically saved.

If the trap is running (the word RUN is visible and the Green LED light is on), and a cold temperature shutdown value has been selected, the trap will shut down when the air temperature and the trap temperature has dropped below that set point. When the trap is in the Cold Temperature Shutdown Mode the word COOL and the Thermometer icon will flash. The trap will restart when the temperature sensor indicates that the air temperature and the trap temperature is **approximately 5°F (2.8°C) above the selected cold temperature shutdown value.**

If the trap is in warm up mode when the temperature drops below the selected set point it will shut down, **but it will not restart automatically.**

Visit us online at mosquitomagnet.com for additional information regarding Mosquito Magnet tips and testimonials.

Woodstream Corporation
69 North Locust Street
Lititz, PA 17543
United States
www.mosquitomagnet.com

432-451



MOSQUITO MAGNET®

Safety Instructions

Please read and follow all safety instructions and warnings.

Children and adults should be alerted to the hazards of high surface temperatures and should stay away to avoid burns or clothing ignition.

Young children should be carefully supervised when they are in the area of the trap. Keep out of reach of children.

Clothing or other flammable materials should not be hung from the trap, or placed on or near the trap.

Note: Some or all of the following required safety instructions for propane powered devices may apply to your trap. Allow trap to cool for 5 minutes before re-starting.

Warning: Improper installation, adjustment, alteration, service or maintenance can cause injury or property damage. Read the installation, operating and maintenance instructions thoroughly before installing or servicing the trap.

Caution: The gas pressure regulator provided with this appliance must be used. This regulator is set for an outlet pressure of 11.0 in. Water Column. The minimum inlet gas supply pressure is 11.0 in. Water Column from regulator.

- This unit is not intended to be installed in or on recreational vehicles and/or boats.
- The gas supply must be turned off at the LP-Gas supply cylinder when this appliance is not in use.
- The installation must conform with local codes or, in the absence of local codes, with the National Fuel Gas Code, ANSI Z223. 1-1998 for US and with the CAN1-B149 for Canada.
- To test for a gas leak, place soapy water around the connector, regulator, and gas hose assembly. If bubbles appear, there is a gas leak.
- Inspect the hose before each use of the unit. If it is evident there is excessive abrasion or wear, or the hose is cut, it must be replaced prior to the unit being put into operation. The replacement hose shall be that specified by the manufacturer.
- The trap is equipped with an internal spark ignition device. Failure to follow starting procedure will result in the trap not starting.
- Installation and repair should be done by a qualified service person (find service centers on www.mosquitomagnet.com). The heater should be inspected before use and at least annually by a qualified service person. More frequent cleaning may be required as necessary. It is imperative that the control compartment, burners, and circulating air passageways of the trap be kept clean.



MOSQUITO MAGNET®

Safety Instructions

- Maintain adequate clearances of 20"–24" around air openings into the combustion chamber, clearances from combustible material, provisions for accessibility and for combustion and ventilating air supply. Keep the trap area clear and free from combustible materials, gasoline, and other flammable vapors and liquids. The appliance is not to be used in locations where flammable vapor or explosive dust is likely to exist.
- Do not obstruct the flow of combustion and ventilation air.
- Keep the ventilating openings of the cylinder enclosure free and clear from debris.
- Clean the trap with a water damp cloth, if necessary.
- A maximum of a 20 lb. LP-Gas cylinder shall be used.
- The LP-Gas cylinder must be provided with a shut-off valve terminating in an LP-Gas supply cylinder valve outlet specified for Connection No. 510 in the Standard for Compressed Gas Cylinder Valve Outlet and Inlet Connections, ANSI/CGA-V-1-1977.
- The LP-Gas cylinder supply system must be arranged for vapor withdrawal and the cylinder must include a collar to protect the cylinder valve.
- The LP-Gas cylinder used shall be constructed and marked in accordance with the specifications for LP-Gas cylinders of the U.S. Department of Transportation (DOT) or The National Standard of Canada CAN/CSA-B339.
- The trap shall be used outdoors only in a well ventilated space and shall not be used in a building, garage, or any other enclosed area.
- The LP-Gas cylinder must be disconnected and removed from the appliance, if the appliance is stored indoors.
- LP-Gas cylinders must be stored outdoors in a well-ventilated area out of reach of children.
- Disconnected cylinders must have threaded valve plugs tightly installed and must not be stored in a building, garage, or any other enclosed area.
- The pressure regulator and hose assembly supplied with this appliance must be used for connection to the LP-Gas cylinder. Replacement pressure regulators and hose assemblies must be specified by the manufacturer.
- Avoid improper use of extension cords. Keep connections away from moisture and avoid damage to the cord.
- If the supply cord is damaged, it must be replaced by the manufacturer or its service agent or a similarly qualified person in order to avoid hazard.

Please contact Customer Care
if you have any questions at:

1-800-953-5737

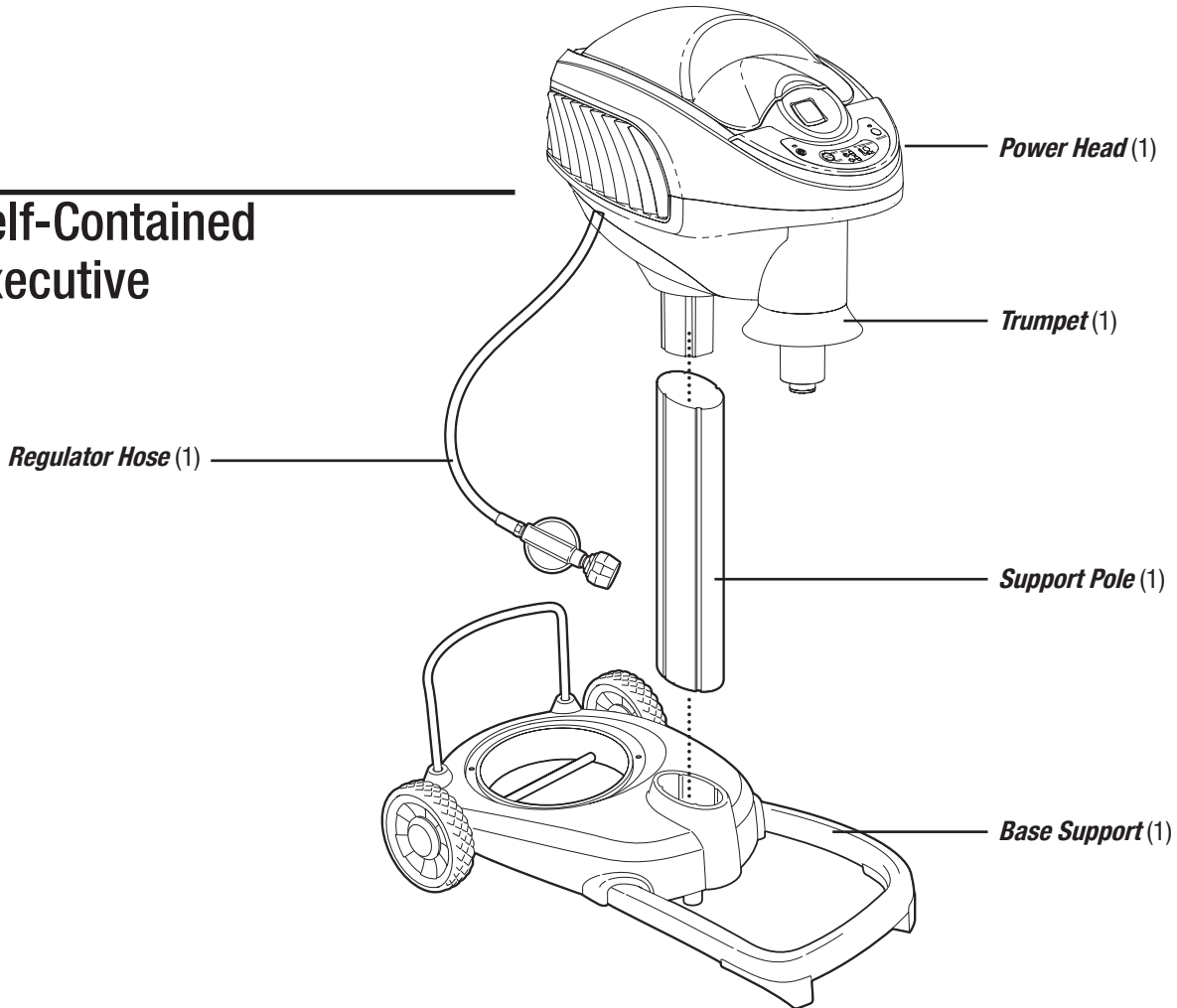
or visit www.mosquitomagnet.com

⚠ Warning: SHOCK! An electric shock hazard may exist if water from a garden hose is directed at the Mosquito Magnet®. Route the power cord in the safest possible manner to avoid personal injury.

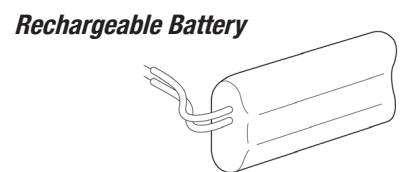
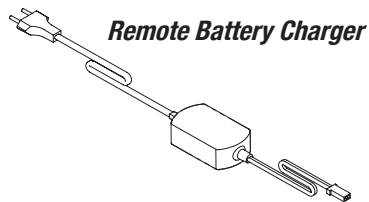
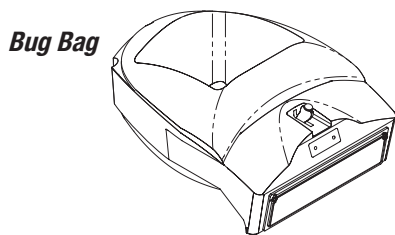


Principle Parts

Self-Contained Executive



Parts Included

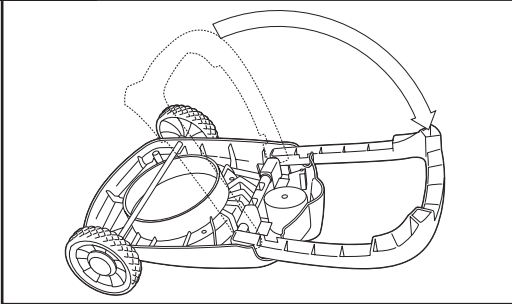


MOSQUITO MAGNET®

Assembly Instructions

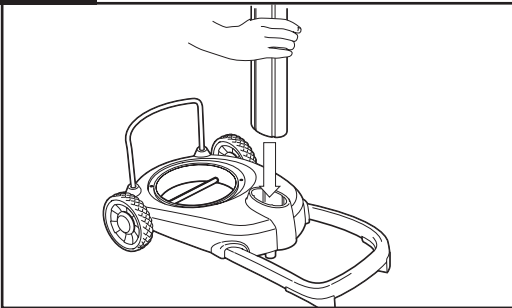
Trap Assembly:

Step 1



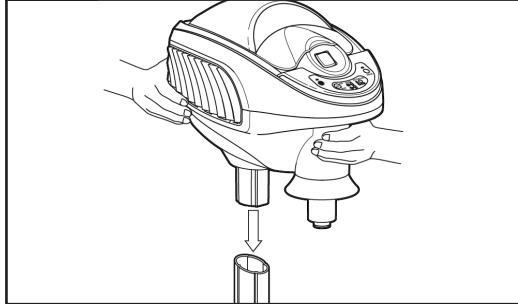
Place base upside down on a flat surface, unfold U-shaped support leg until it locks in place.

Step 2



Turn base and leg assembly right-side-up and place support pole into cavity on base.

Step 3



Place trap power head onto pole. Press down firmly with two hands to secure.

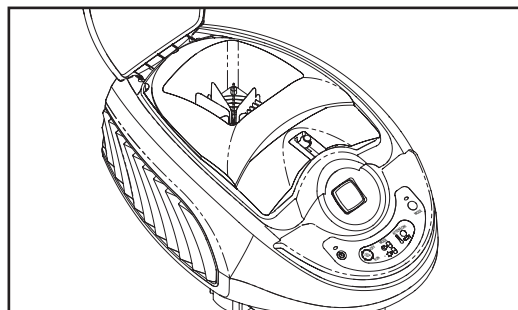
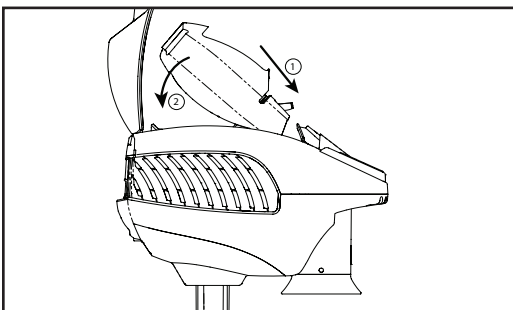
Assembled trap should have the front of power head/trumpet placed farthest from the wheels in the same direction as base U-shaped legs.

Step 4

The battery is not fully charged at the factory; charge the battery before the first use. Under proper usage, one charge lasts all season. See page 6 for further details.

Bug Bag Installation:

To insert Bug Bag, first engage front/open section then gently push the back end down into place.



Set-Up

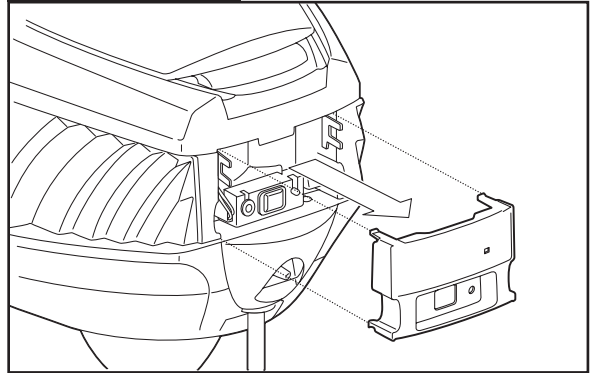
Charging Instructions

1. Remove cover panel from rear of Power Head Unit (panel snaps off). Press the battery latch & pull out of the trap to disconnect. Remove the battery by pulling up on the bottom and rotating the battery out of position.
2. The Battery Charger is not rated for Outdoor use. The battery must be charged indoors.
3. Plug the Battery Charger into a suitable indoor outlet.
4. Connect the re-chargeable battery to the battery charger.
5. The LED on the Battery Charger will indicate Red when the battery is charging, when the battery is fully charged the LED will indicate Green. The typical charge time is less than two hours.
6. The battery charger is automatic, it will shut down to a safe maintenance charge current when the battery is fully charged. It will not over charge the battery. For maximum life, do not leave the battery on the charger for extended periods.
7. When the battery is fully charged, disconnect the battery from the battery charger and return it in the Mosquito Magnet Executive.
8. Insert and connect the re-chargeable battery.
9. Replace the cover panel on the rear of Power Head Unit.

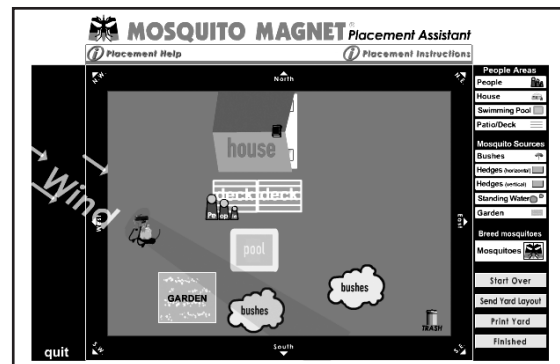
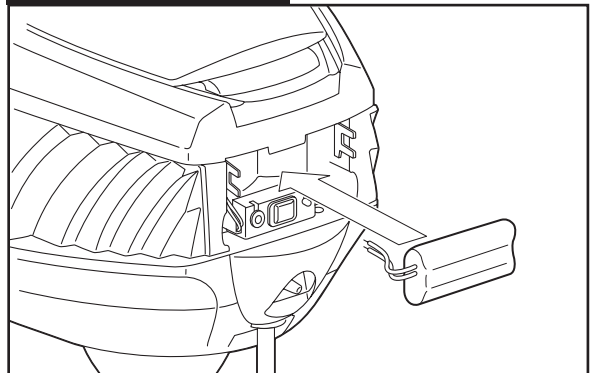
Trap Placement

1. Determine the direction of the prevailing wind. Check local weather patterns if you are unsure.
2. Stand in the center of the area you are trying to protect and look toward the prevailing wind.
3. Proper placement of the trap will be 30 – 40 feet in front of you, within 5-6 feet of ground cover (i.e. bushes, flowerbeds, tree line, marshbed). Ensure that trap is not directly against any blockades such as buildings, fences, etc.
4. It is recommended that the trap be placed in the shade.
5. Do not place trap directly above a water source (sprinklers, hose, etc.).
6. Trap must be placed on level ground to avoid tipping or uneven propane distribution.
7. For optimal trap placement in your yard, refer to the instructional video at www.mosquitomagnet.com/videos to build your own yard diagram for correct trap placement.

Remove Back Panel



Insert & Connect Battery



MOSQUITO MAGNET®

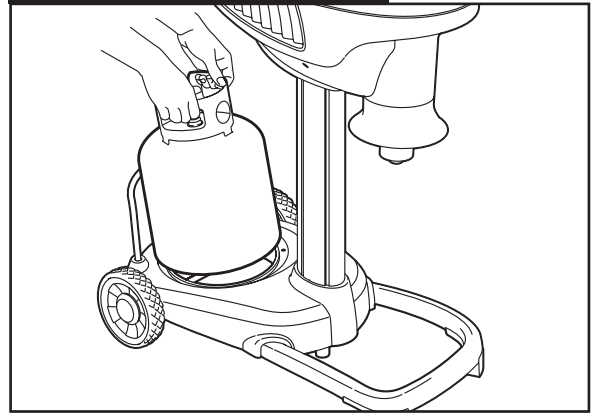
Set-Up

Propane Tank Installation

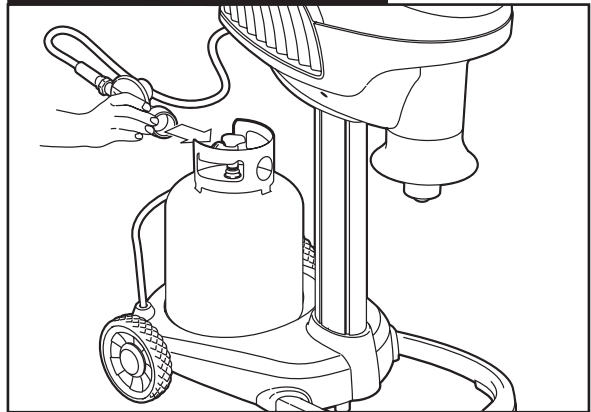
1. After trap is placed in its ideal location, place propane tank onto the molded cradle.
2. Make sure propane tank is fully closed. Attach propane regulator hose to propane tank. Secure tightly by hand. ***Do not use tools.***
3. Turn propane on by slowly turning valve counter-clockwise. Take care not to turn too quickly to avoid engagement of safety valve.

⚠ DO NOT MOVE TRAP WITH TANK ATTACHED!
TANK MUST BE DISCONNECTED FROM REGULATOR BEFORE TRAP IS RELOCATED TO AVOID DAMAGE TO REGULATOR AND/OR TRAP. BE ADVISED, DAMAGE CAUSED FROM FAILURE TO COMPLY WITH THIS INSTRUCTION IS NOT COVERED UNDER WARRANTY.

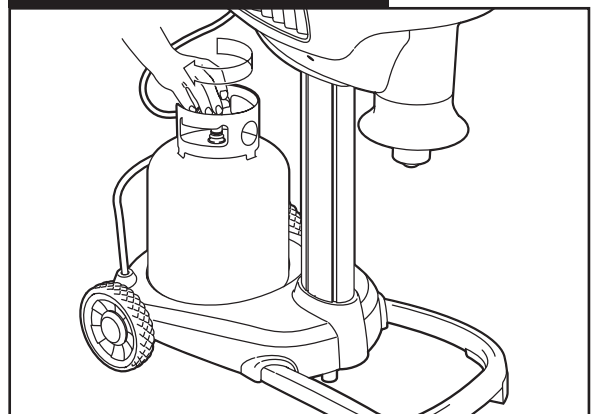
Step 1 - Propane Tank Placement



Step 2 - Attach Regulator



Step 3 - Slowly Open Valve



Set-Up

Octenol Attractant Installation

1. Locate Mosquito Magnet® Octenol Biting Insect Attractant. Remove mosquito attractant packet from bag. Carefully peel back foil cover
2. Locate the Octenol carrier compartment inside the plume tube. Turn cap counter-clockwise about 1/8 turn. Remove end cap.
3. Place the open packet of mosquito attractant into the carrier compartment.
4. Replace end cap on carrier compartment. Be sure to align cap's "feet" with grooves inside carrier compartment. Secure cap by turning clockwise until it clicks (about 1/8 turn).

Precautionary Statements

Hazards to Humans and Domestic Animals.

Caution: Harmful if swallowed. Avoid contact of skin, eyes or mouth with the evaporation holes. Wash hands before eating, drinking, chewing gum, using tobacco or using bathroom facilities.

First Aid

If swallowed

- Call poison control center or doctor immediately for treatment advice.
- Have person sip a glass of water if able to swallow.
- Do not induce vomiting unless told to do so by the poison control center or doctor.
- Do not give anything by mouth to an unconscious person.

If on skin or clothing

- Take off contaminated clothing.
- Rinse skin immediately with plenty of water for 15-20 minutes.
- Call a poison control center or doctor for treatment advice.

If in eyes

- Hold eye open and rinse slowly and gently with water for 15-20 minutes.
- Remove contact lenses, if present, after the first 5 minutes, then continue rinsing eye.
- Call a poison control center or doctor for treatment advice.

If inhaled

- Move person to fresh air.
- If person is not breathing, call 911 or an ambulance, then give artificial respiration, preferably by mouth-to-mouth, if possible.
- Call a poison control center or doctor for treatment advice.

Have the product container or label with you when calling a poison control center or doctor, or going for treatment.

Environmental Hazards: Do not apply directly to water. Do not contaminate water when disposing of equipment washwaters or rinsate.

Directions for Use

It is a violation of federal law to use this product in a manner inconsistent with its labeling.

Replace cartridge every 21 days* (Note: After 21 days of use, cartridge appears the same; however, it will no longer be effective as the Octenol will have been released.)

*Based on release rate studies conducted at a constant ambient air temperature of 80° F for 21 days. Octenol release from this product will be more rapid at higher ambient air temperature.

Storage & Disposal

Do not contaminate water, food or feed by storage or disposal.

Storage: Store unopened attractant cartridge in a cool, dry place. Discard outer plastic bag in trash.

Disposal: Do not reuse attractant cartridge. Dispose of used attractant cartridge in the trash.

Step 1



Step 2



Step 3



Step 4



MOSQUITO MAGNET®

Instructions

****READ MANUAL BEFORE STARTING****

Charge your battery per instructions. Under proper usage, battery will last all season.

Starting Instructions

It is recommended that you read the entire manual before starting the Mosquito Magnet® trap.

1. To start the trap, press and hold the ON/OFF button for three seconds until the orange LED illuminates.
2. RUN will show on the display. WARM and the indicator arrows will also flash on the display. The LED (indicator above ON/OFF button) will be orange.
3. The fan will ramp from low speed to high speed after approximately 3 minutes.
4. The display will flash WARM and the LED will be orange for approximately 15-25 minutes while the trap is warming up.
5. After the trap reaches operating temperature, the LED will be green and WARM will disappear from the display.

Shut Down Instructions

To turn off the trap, press the ON/OFF button. RUN will show on the display. COOL and the indicator arrows will flash on the display. The LED will be green. After a two minute cool down, the fan will stop, the LED will turn off and OFF will show on the display.

When Not In Use

If the unit is not in use, the gas must be turned off at the supply cylinder. Storage of this unit indoors is permissible only if the cylinder is disconnected and removed. Cylinders must be stored outdoors, out of reach of children and must not be stored in a building, garage or any other enclosed area.

End of Season Storage

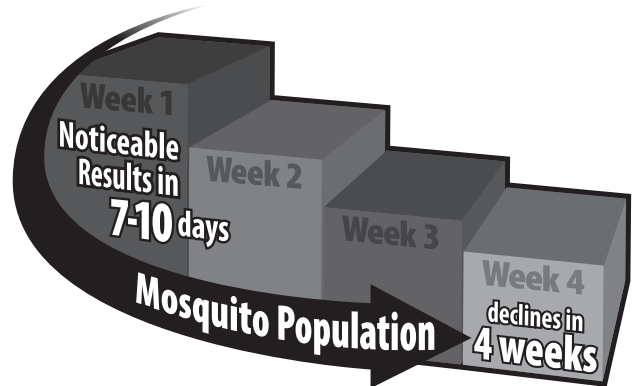
Push ON/OFF switch to OFF position to shut down the trap. The LED light will go out and the fan will continue running until trap is cool. Close the propane tank valve and disconnect regulator.

Any open Mosquito Magnet® attractant should be removed and discarded. See attractant label for disposal instructions. The bug bag should also be discarded prior to storing the trap.

STORAGE: The trap should be stored indoors in a garage or shed in the off-season. Cover trumpet to prohibit insects from nesting. Cover unit with a tarp and secure tightly at the bottom to keep out dust, spider webs and other debris.

For Best Results (unit must run for 24 hours/day)

- Your trap will begin capturing immediately with significant reduction in the mosquito population in 7-10 days. Allow 4 weeks to significantly reduce the mosquito population in your yard.



- Allow trap to cool for 5 minutes before re-start.
- Never spray insecticide in or around trap.
- Trap can be left running in the rain.
- If using lime or fertilizer compounds, be sure to shut down the trap first to prevent dust or fine mist from being drawn into trap and clogging bug bag.

Warning: Improper installation, adjustment, alteration, service or maintenance can cause injury or property damage. Read the installation, operating and maintenance instructions thoroughly before installing or servicing this equipment.

Caution: The gas pressure regulator provided with this appliance must be used. This regulator is set for an outlet pressure 11.0 in. water column.

The gas supply must be turned off at the LP-Gas supply cylinder when this appliance is not in use.

Leader in 360° Customer Support

- Customer Care Hotline: 1-800-953-5737
- Online Product Registration Available
- Visit www.mosquitomagnet.com for Troubleshooting Tips/Trap Placement
- Certified Service Locations – Information Available at www.mosquitomagnet.com



Smart Technology

Setting Fuel-Saving Modes

The trap has the option to run 24/7 or in one of 4 Fuel-saving Modes which can extend the life of your propane tank. The propane tank will last 21 days by operating your trap 24/7, which is recommended for the corresponding propane usage expended based on the mode of operation.



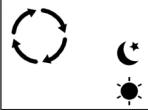
Operation Fuel-Saving	Tank Life*	Shut Down Day Time	Shut Down Night Time
Mode 1	22 days	1 Hr	1 Hr
Mode 2	24 days	2 Hr	2 Hr
Mode 3	27 days	3 Hr	3 Hr
Mode 4	30 days	4 Hr	4 Hr

*Based on a 20lb. (9.07kg.) propane tank

The Fuel-Saving Mode of operation will stop the propane use in the middle of the day & during the middle of the night. Research has shown mosquito activity is typically lowest during these time frames.

NOTE: The “Smart Technology” system automatically learns the cycles of day and night within a 24 hour period while in the Fuel-Saving Mode. This system uses a photo sensor to allow the trap to learn and adjust shut downs based on the shift in sunrise and sunset as seasons change.

Fuel-Saving Modes

1. Press the MODE button to select the Gas Saver Mode Setting. 
2.  Every time the MODE button is pressed the Mode will cycle through 1, 2, 3, 4, Off, 1, etc.
3. Mode 1 will shut down the trap 1 hour during the middle of the day and 1 hour during the middle of the night. Modes 2, 3, and 4 correspond to 2, 3, and 4 hours of shut down time respectively.
4.  To indicate the trap is in Fuel-Saver Mode, the arrows will flash and the green LED light will be off. Additionally, the Sun element will flash during the day and the Moon element will flash during the night when the trap is in Fuel-Saving Mode. The fan will continue to operate in the trap, at a reduced speed, to prevent any escape of mosquitoes but will not capture any additional mosquitoes during this time frame.

5. If the trap is set in the fuel-saving mode, the battery must be disconnected and then reconnected every time the propane tank is refilled. The battery disconnect is required to reset the Fuel Saving timer.



Cold Temperature Shutdown

The trap has a temperature sensor that can be used to automatically put the trap in a standby mode when the outdoor air temperature and the trap temperature are both below a user selectable set point. Research has shown that there is very little mosquito activity when the air temperature drops below 50°F (10°C). However, in some locations and with some mosquito species, activity can continue at temperature shutdown point starting at 50°F (10°C). The trap has a user selectable cold temperature shutdown point starting at 50°F (10°C) and incrementing down in increments of 5°F (2.8°C) to a minimum temperature of 30°F (-1°C). The default setting on the trap is no cold temperature shutdown.

To access the Cold Temperature Shutdown parameters, press and hold the Mode button for at least 3 seconds until the Cold Temperature Shutdown menu appears. Toggle through the temperature choices by pressing the Mode button, beginning with Off (blank) and then to 30, 35, 40, 45, and 50 (°F). Continue to toggle the Mode button after 50 will return to Off (blank) and then repeat the cycle. Once a temperature choice has been made, stop pressing the Mode button; wait approximately 3 seconds; and your temperature choice will be automatically saved.

If the trap is running (the word RUN is visible and the green LED light is on), and a cold temperature shutdown value has been selected, the trap will shut down when the air temperature and the trap temperature has dropped below that set point. When the trap is in the Cold Temperature Shutdown Mode the word COOL and the Thermometer icon will flash. The trap will restart when the temperature sensor indicates that the air temperature and the trap temperature are approximately 5°F (2.8°C) above the selected cold temperature shutdown value. If the trap is in warm up mode when the temperature drops below the selected set point, it will shut down, but it will not restart automatically.



Low Battery Warning

The battery icon and attention will flash if the battery needs to be recharged.

Child Safety Lock

The ON/OFF button needs to be held for 3 full seconds to turn-on the trap.



MOSQUITO MAGNET®

Maintenance

Maintenance

If using one of our Fuel-Saving Modes, be sure to adjust the dates on the chart below.

- ***21 Day Maintenance Cycle***

- Refill propane. (Propane lasts approximately 21 days with 24-hour/7-days operation.)
- Replace short-range attractant cartridge.
See Mosquito Magnet® attractant label for instructions.
- Empty or replace bug bag.
- Periodically wipe down the outside of the trap with a clean, damp cloth.
- Charge your battery for 24 hours at the beginning of the season.

Propane Tank Changing Time





When attaching the regulator knob to a tank after a tank change, be sure to fully tighten the regulator knob onto the tank. No need to use tools, but do turn the knob as far as possible by hand. When this is done, loosen the knob 1/4 turn, then re-tighten to maximize seal.

The purpose for this is to fully engage the regulator onto the tank. If the regulator is not fully engaged, the flow of gas may be restricted to the point where the trap will show a gas empty code. If this occurs, press the off button, close the tank valve, and remove the regulator from the tank. Re-attach the regulator and try again.



MOSQUITO MAGNET®

Troubleshooting

Problem	Possible Cause	Solutions
<p>Unit won't start Unit won't stay running</p> <p>LCD</p>  <p>LED - Red LED Flashing at 7 second intervals</p>	<ol style="list-style-type: none"> 1. Propane tank may be empty. 2. If propane tank is new and has been newly filled it must be purged. 3. There could be a loose connection. 4. Fuel line may be blocked by propane contaminants. 5. Regulator is not fully engaged. 6. Bug bag may be full or clogged. 	<ol style="list-style-type: none"> 1. Weigh tank and check against "empty" weight. 2. Bring tank to filling location. Air may be in fuel line. Ask for tank to be purged. <i>Hint: If you have another propane powered device operating on a standard, 20 lb propane tank, try hooking that tank up to the trap to verify that the issue is with your tank.</i> 3. Verify all connections. Make sure propane tank valve is fully open. 4. Replace the bug bag.
<p>Unit won't stay Running</p> <p>LCD</p>  <p>LED - Flashing Red/Orange at 7 second intervals</p>	<ol style="list-style-type: none"> 1. Low Battery Voltage. 	<ol style="list-style-type: none"> 1. Charge the battery before the first use and at the beginning of each season. The Charger LED will be Green when the battery is fully charged. 2. Check battery connection, making sure it is fully inserted and locked. 3. If a fully charge battery indicates Low Battery Voltage during the cycle, recharge or replace the battery.
<p>Unit shut down</p> <p>LCD</p>  <p>LED - Flashing Red/Green at 7 second intervals</p>	<ol style="list-style-type: none"> 1. High Temperature. 	<ol style="list-style-type: none"> 1. Turn off trap and allow to cool for one hour, then restart. If the code continues, call Customer Care at 1-800-953-5737.
<p>Unit shut down</p> <p>LCD</p>  <p>LED - Double Flashing Red LED at 7 second intervals</p>	<ol style="list-style-type: none"> 1. Thermistor Fault. 	<ol style="list-style-type: none"> 1. Contact your Local Service Provider or call Consumer Care at: 1-800-953-5737.
<p>Unit shut down LED - Solid Red</p>	<ol style="list-style-type: none"> 1. Electrical Fault. 	<ol style="list-style-type: none"> 1. Contact your Local Service Provider or call Consumer Care at: 1-800-953-5737.
<p>Low or no catch</p>	<ol style="list-style-type: none"> 1. Insects may not be out yet. 2. Trap placement issue. 3. Biting insect reproductive cycles have not yet been broken. 4. Counterflow may be disrupted. 	<ol style="list-style-type: none"> 1. Verify temperature is consistently over 50° F (10°C). 2. Follow steps in the "Trap Placement" section of your owner's manual. 3. Keep trap in constant operation 24 hours/day, 7 days per week for at least 4 weeks to reduce the mosquito population. 4. Air flow may be restricted. Contact your Local Service Provider.



Limited Warranty

Limited Warranty

This warranty, (1) year from the purchase of the unit, is extended only to the original purchaser/user of products. This limited warranty begins on the original date of purchase, and is valid only on products purchased and used in the United States.

Woodstream® Corporation warrants its products to be free from defects in materials and workmanship for the warranty period by the original purchaser/user.

For warranty service, please contact our Customer Care (800) 953-5737. Please indicate the nature of the defect. Warranty service can only be performed by a Mosquito Magnet® Certified Service Center.

If Woodstream® Corporation determines there may be a defect, Woodstream® Corporation will issue a Return Goods Authorization (RGA) number. The defective unit or parts must be returned for warranty inspection using the RGA number, when applicable, as identification within (30) days of return authorization date. DO NOT return products to our factory without our prior consent, as they, as well as C.O.D. shipments will be refused. Woodstream® Corporation or agent, at its option, shall replace the unit, replace the defective part(s) and return such unit to you. Woodstream® Corporation's sole obligation and your exclusive remedy under this warranty shall be limited to such replacement.

Limitations and Exclusions:

The warranty shall not apply to problems arising from normal wear, or failure to adhere to the enclosed instructions. In addition, the foregoing warranty shall not apply to serial numbered products if the serial number has been removed or defaced; products subject to negligence, accident, improper operation, maintenance or storage; products damaged by circumstances beyond Woodstream® Corporation's control; or products modified (including, but not limited to modifications through the use of unauthorized parts or attachments) or repaired by anyone other than Woodstream® Corporation or its designee.

The foregoing warranty is exclusive and in lieu of all other warranties, express or implied, including without limitation the implied warranties of merchantability and fitness for a particular purpose. It shall not extend beyond the duration of the express warranty provided herein, and the remedy for violations of any warranty shall be limited to repair or replacement of the defective product pursuant to the terms contained herein. Woodstream® Corporation shall not be liable for any consequential or incidental damages whatsoever.

This warranty gives you specific legal rights and you may also have other legal rights which may vary based on location.



MOSQUITO MAGNET®

Manual de operación



MOSQUITO MAGNET®

Bienvenido

Felicitaciones por la compra de su equipo Mosquito Magnet®. Ahora puede empezar a gozar nuevamente del espacio al aire libre.

Mosquito Magnet® es la primera trampa para mosquitos en Norteamérica. Con el apoyo de 18 años de investigación y pruebas independiente, la trampa Mosquito Magnet® está científicamente probada para reducir los mosquitos y otros insectos que pican en su patio o jardín.

Mosquito Magnet® es fácil de usar. El www.mosquitomagnet.com/videos enlace proporciona información clave para empezar. En este manual, usted obtendrá la información que necesita para saber cómo funciona, la ubicación óptima de la trampa, mantenimiento, almacenamiento y garantía. Las claves del éxito son la ubicación de la trampa, la utilización del cebo atrayente correcto para su área y el mantenimiento de rutina. Para lograr la caza óptima de mosquitos, deberá cambiar el tanque de propano y el cebo atrayente cada 21 días.

Nuestra línea de Servicio de Atención al Cliente está disponible para responder sus preguntas referentes a su nueva compra. No dude en comunicarse con nosotros...

Servicio de Atención al Cliente: 1-800-953-5737

Visítenos en www.mosquitomagnet.com para obtener información adicional sobre Mosquito Magnet®, consejos, testimonios y ofertas de productos adicionales.

Woodstream® Corporation

69 North Locust Street
Lititz, PA 17543
1-800-953-5737
www.mosquitomagnet.com

Las trampas Mosquito Magnet® están cubiertos por una o más de las siguientes patentes:
EE.UU. No. 5,813,166; 6,145,243; 6,286,249; 6,817,140; 6,840,005;
6,848,466; 6,892,492; 7,074,830; 7,243,458; 7,281,351; 7,293,387;
7,536,824; 7,614,180; 7,752,803; 7,987,631; 8,067,469; 8,051,601 y
8,141,291

Otras patentes pendientes

Hecho en China

PARA SU SEGURIDAD

Si siente olor a gas:

1. Cierre la entrada de gas al aparato.
2. Apague cualquier llama expuesta.
3. Abra la tapa.
4. Si el olor continúa, llame inmediatamente a su proveedor de gas o a los bomberos.

PARA SU SEGURIDAD

1. No almacene ni utilice gasolina ni otros vapores y líquidos inflamables en las proximidades de éste o cualquier otro aparato.
2. Un tanque LP que no esté conectado no deberá almacenarse en las proximidades de este o cualquier otro aparato.



MOSQUITO MAGNET®

Índice

Bienvenido/Índice	1e-2e
Desconexión por baja temperatura	3e
Instrucciones de seguridad	4e-5e
Partes Principales	6e
Instrucciones de ensamblaje	7e
Instalación	8e-10e
Instrucciones para cargar la batería	
Ubicación de la trampa	
Instalación del tanque de propano	
Instalación del cebo atrayente de octenol	
Instrucciones	11e
Instrucciones de inicio	
Instrucciones de apagado	
Cuando no está en uso	
Almacenamiento al final de la temporada	
Para mejores resultados	
Tecnología Inteligente	12e
Mantenimiento	13e
Mantenimiento	
Consejos para cambiar el tanque de propano	
Cronograma de mantenimiento	
Solución de problemas	14e
Garantía limitada	15e

Preguntas o comentarios

Par favor, comuníquese con Woodstream® Corporation si tiene preguntas o problemas con el producto Mosquito Magnet®:
1-800-953-5737

Woodstream® Corporation
 69 North Locust Street
 Lititz, PA 17543
www.mosquitomagnet.com

Modelo No.:	Executive
No. de Serie:	
Tipo de Gas:	Propano
Presión del distribuidor:	100 – 110 psi
Presión mínima del suministro de gas:	28 cm de columna de agua
Capacidad nominal de entrada:	759 Btu/Hr.
Espacios libres mínimos:	De 51 a 61 cm



Cómo funciona Mosquito Magnet®

Los mosquitos y otros insectos que pican utilizan el dióxido de carbono (CO₂) atrayente de largo alcance para ubicar a las personas. Una vez cerca, los mosquitos utilizan atrayentes de corto alcance como los olores que emite la piel, con el fin de determinar la persona a la que van a picar. Mosquito Magnet® imita al ser humano mediante la conversión de gas propano en CO₂, con su tecnología de conversión catalítica patentada, en combinación con un cebo atrayente de corto alcance.

Los mosquitos y otros insectos que pican, atraídos por el CO₂ y el cebo atrayente de corto alcance, se dirigen hacia la trampa Mosquito Magnet®. Al llegar a la trampa, una bolsa para insectos los aspira utilizando la tecnología patentada Counterflow Technology™, en donde se deshidratan y mueren en 24 horas.

La trampa Mosquito Magnet® es silenciosa, inodora y funciona 24 horas, 7 días a la semana. Si está ubicada en el lugar apropiado en su patio o jardín, **la trampa empieza a funcionar inmediatamente. Pueden lograrse resultados visibles entre 7 y 10 días.** Ty 10 días. Para reducir significativamente la población de insectos que pican, permita que pasen entre 4 semanas. Para controlar la población de mosquitos en su patio o jardín, deje funcionando la trampa Mosquito Magnet® todo el verano.

La trampa sólo atrapa insectos que pican tales como mosquitos, zancudos, moscas negras y jejenes. La trampa no se dirige a insectos benéficos tales como mariposas, abejas o polillas.



Desconexión por baja temperatura

La trampa dispone de un sensor de temperatura que se puede utilizar para colocar la trampa en la modalidad de espera automáticamente cuando tanto la temperatura del aire exterior como la de la trampa sean inferiores a un punto de configuración **seleccionable por el usuario**. La investigación ha demostrado que se produce muy poca actividad de mosquitos cuando la temperatura del aire es inferior a 10 °C (50 °F). Sin embargo, en algunos lugares y dependiendo de la especie del mosquito, la actividad puede continuar en temperaturas inferiores a los 10 °C (50 °F). La trampa tiene un punto de desconexión por baja temperatura **seleccionable por el usuario** que comienza en los 10 °C (50 °F) y continúa en incrementos descendentes de 2,8 °C (5 °F) hasta una temperatura mínima de -1°C (30 °F). **La configuración predeterminada de la trampa no incluye la desconexión por baja temperatura.**

Para acceder a los parámetros de desconexión por baja temperatura, presione y sostenga el botón de modalidad durante 3 segundos al menos hasta que aparezca el menú de desconexión por baja temperatura. Desplácese a través de las opciones de temperatura presionando el botón de modalidad, comenzando con Off (desconectado) y luego a -1, 1,7, 4,4, 7,2 y 10 °C (30, 35, 40, 45 y 50 °F). Continuar alternando el botón de modalidad después de 10 °C (50 °F) hará que regrese a Off (desconectado) y luego se repite el ciclo. Una vez que haya escogido la temperatura, deje de presionar el botón de modalidad; espere aproximadamente 3 segundos y la opción de temperatura elegida se guardará automáticamente.

Si la trampa está activada (la palabra RUN [Funcionando] está visible y la luz verde del LED está encendida) y si ha seleccionado un valor de desconexión por baja temperatura, la trampa se desactivará cuando la temperatura del aire y de la trampa haya descendido por debajo del punto configurado. Cuando la trampa está en la modalidad de desconexión por baja temperatura, la palabra COOL [Frío] y el icono del termómetro destellarán. La trampa volverá a funcionar cuando el sensor de temperatura indique que la temperatura tanto del aire como de la trampa estén **aproximadamente 2,8 °C (5 °F) por encima del valor de desconexión por baja temperatura que haya seleccionado.**

Si la trampa se encuentra en el modo de preparación cuando la temperatura descienda por debajo del punto de configuración seleccionado se desconectará, **pero no se reiniciará automáticamente.**

Woodstream Corporation
69 North Locust Street
Lititz, PA 17543
United States
www.mosqitomagnet.com

432-452



MOSQUITO MAGNET®

Instrucciones de seguridad

Por favor, lea y siga las instrucciones y advertencias de seguridad.

Se debe alertar a los niños y adultos de los peligros de las temperaturas elevadas de las superficies y deberán mantenerse alejados para evitar quemaduras o que la ropa se incendie.

Los niños pequeños deberán estar bajo supervisión cuando estén alrededor del área del calentador. Manténgase el equipo fuera del alcance de los niños.

No debe colgar ropa ni materiales inflamables en el calentador, ni colocarlos encima o cerca del mismo.

Nota: Algunas o todas las siguientes instrucciones de seguridad para dispositivos activados con gas propano pueden aplicarse a su trampa. Deje que la trampa se enfríe durante 5 minutos antes de volver a encenderla.

⚠ Advertencia: La instalación, ajuste, alteración, servicio o mantenimiento inadecuados pueden causar lesiones personales o daños materiales. Lea atentamente las instrucciones de instalación, operación y mantenimiento antes de instalar o de dar mantenimiento a la trampa.

⚠ Precaución: Debe utilizar el regulador de presión de gas que viene con este artefacto. Este regulador está fijado para una presión de salida de 28 cm de columna de agua. La presión mínima del suministro de gas de entrada es para 28 cm de columna de agua del regulador.

- Esta unidad no está diseñada para instalarse en vehículos recreacionales ni en botes.
- Cuando este artefacto no esté en uso, debe apagar el suministro de gas en el tanque de suministro de gas propano.
- La instalación debe hacerse en conformidad con los códigos locales o, en ausencia de códigos locales, de acuerdo con el Código Nacional de Gas Combustible, ANSI Z223. 1-1998 para EE.UU., y de acuerdo con CAN1-B149 para Canadá.
- Para determinar si hay fuga de gas, coloque agua jabonosa alrededor del ensamblaje del conector, regulador y manguera de gas. Si aparecen burbujas, significa que hay una fuga de gas.
- Revise la manguera antes de utilizar la unidad. Si es evidente que hay abrasión o desgaste excesivos, o si la manguera tiene un corte, debe cambiarse antes de hacer funcionar la unidad. La manguera de repuesto debe ser la que especifica el fabricante.
- La trampa está equipada con un mecanismo de chispa interno. El no seguir el procedimiento de arranque puede causar que la trampa no arranque.
- La instalación y la reparación deben hacerlas el personal de mantenimiento calificado (puede encontrar centros de mantenimiento en www.mosquitomagnet.com). Personal de mantenimiento calificado debe inspeccionar el calentador antes de usarlo por lo menos una vez al año. Puede requerirse limpieza con más frecuencia, si es necesario.



MOSQUITO MAGNET®

Instrucciones de seguridad

- Mantenga espacios libres adecuados de 51 a 61 cm alrededor de las aberturas de aires que van hacia la cámara de combustión; mantenga lejos los materiales combustibles; deje espacio libre para facilitar el acceso para que haya suficiente aire para combustión y ventilación. Mantenga el área de la trampa libre de materiales combustibles, gasolina y otros vapores y líquidos inflamables. No debe utilizarse este artefacto en lugares donde probablemente exista vapor combustible o polvos explosivos.
- No obstruya el flujo de aire de combustión y ventilación.
- Mantenga libres y sin residuos a aberturas de ventilación del recinto del tanque.
- Limpie la trampa con un trapo húmedo, si es necesario.
- Debe utilizar un tanque de gas propano de un máximo de 20 lb (9 kg).
- El tanque de gas propano debe tener una válvula de cierre que termina en una salida de válvula de tanque de gas propano especificada para Conexión No. 510 conforme al estándar de EE.UU. "Standard for Compressed Gas Cylinder Valve Outlet and Inlet Connections" (Estándar para Conexiones de Salida y Entrada de Válvula de Tanque de Gas Comprimido), ANSI/CGA-V-1-1977.
- El sistema de suministro del tanque de gas propano debe estar diseñado para la extracción de vapor y el tanque debe venir con un cuello para proteger la válvula del tanque.
- El tanque de gas propano que se use debe estar construido y marcado de acuerdo con las especificaciones de tanques de gas del Departamento de Transporte de los EE.UU. o el Estándar Nacional de Canadá CAN/CSA-B339.
- La trampa debe utilizarse en exteriores solamente, en un área con buena ventilación y no debe utilizarse en un edificio, garaje ni en ningún otro lugar cerrado.
- Si se almacena el artefacto en interiores, debe desconectar el tanque de gas propano y retirarlo del artefacto.
- Los tanques de gas propano deben almacenarse en exteriores en un área con buena ventilación y fuera del alcance de los niños.
- Los tanques desconectados deben tener tapones de válvula roscados instalados y no deben almacenarse en un edificio, garaje ni en áreas cerradas.
- Debe utilizarse el regulador de presión y el ensamblaje de manguera suministrados con este artefacto para la conexión del tanque de gas propano. Los reguladores de presión y el ensamblaje de manguera de reemplazo deben ser las que especifica el fabricante.
- Evite el uso inapropiado de cordones de extensión. Mantenga las conexiones alejadas de humedad y evite el daño del cordón.
- Si se daña el cordón de suministro, debe ser reemplazado por el fabricante o su agente de servicio o por una persona calificada similar con el fin de evitar peligros.

Si tiene preguntas, por favor, comuníquese con el Servicio de Atención al Cliente llamando al número:

1-800-953-5737

o visite www.mosquitomagnet.com

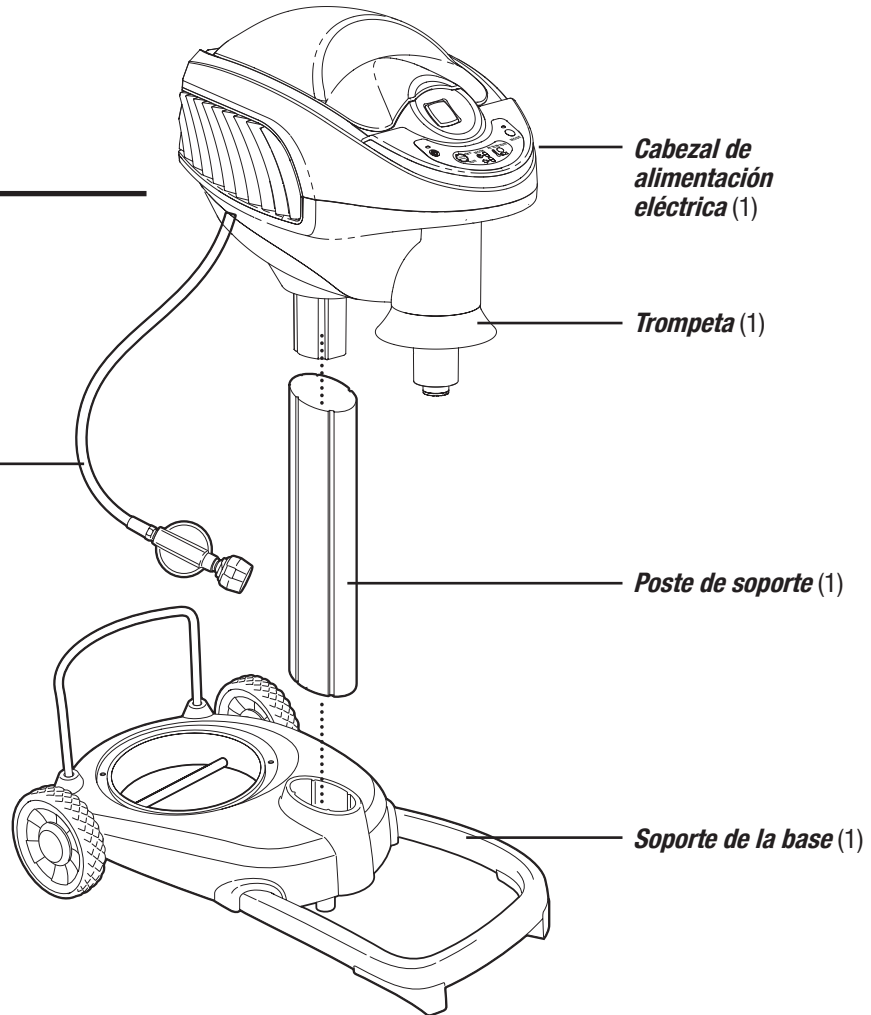


MOSQUITO MAGNET®

Partes principales

Artefacto Executive autónomo

Manguera del regulador (1)



Cabezal de alimentación eléctrica (1)

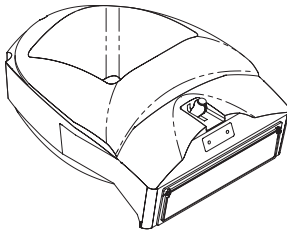
Trompeta (1)

Poste de soporte (1)

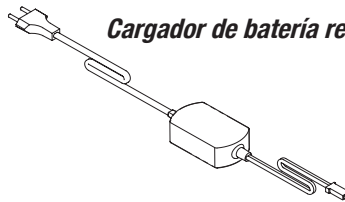
Soporte de la base (1)

Partes incluidas

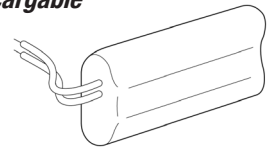
Bolsa para insectos



Cargador de batería remoto



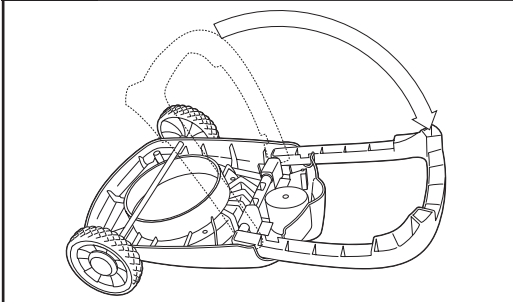
Batería recargable



Instrucciones de ensamblaje

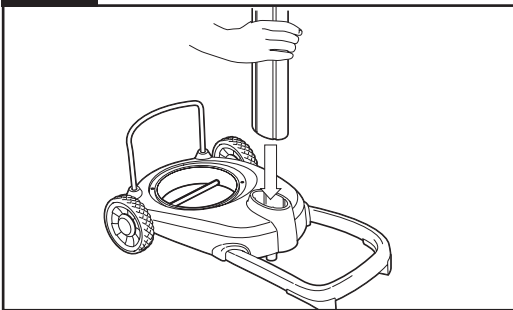
Ensamblaje de la trampa:

Paso 1



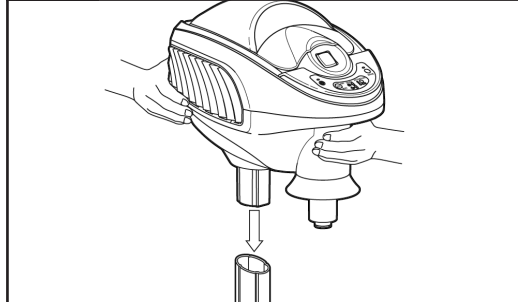
Coloque la base en una posición invertida sobre una superficie plana, despliegue la pata de apoyo en forma de U hasta que encaje en su lugar.

Paso 2



Voltee la base y el ensamblaje de la pata a su posición normal y coloque el poste de soporte dentro de la cavidad de la base.

Paso 3



Coloque el cabezal de alimentación eléctrica a de la trampa en el poste. Presione firmemente hacia abajo con ambas manos hasta que esté asegurado.

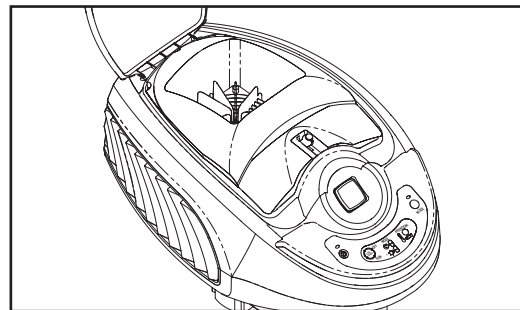
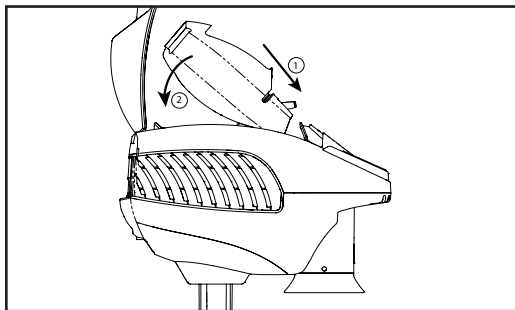
Una vez ensamblada la trampa, la parte frontal del cabezal de alimentación eléctrica/trompeta debe estar lo más lejos posible de las ruedas en la misma dirección que las patas en forma de U de la base.

Paso 4

La batería no viene completamente cargada de la fábrica; cargue la batería antes del primer uso. Si se usa de manera adecuada, una carga durará toda la temporada. Vea la página 6e para obtener más detalles.

Instalación de la bolsa para insectos:

Para insertar la bolsa para insectos, primero enganche la sección frontal/abierta y luego jale suavemente el extremo posterior hacia abajo para colocarla en su lugar.



MOSQUITO MAGNET®

Instalación

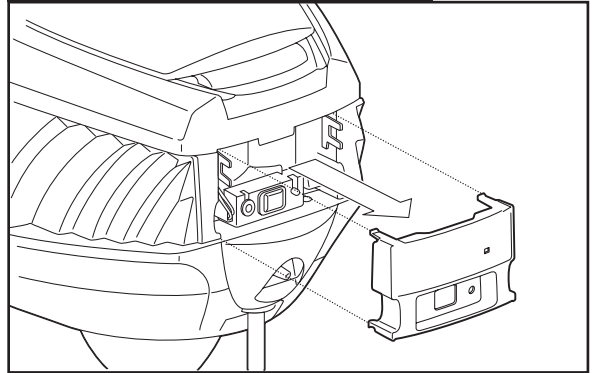
Instrucciones para cargar la batería

1. Retire de la parte trasera de la unidad del cabezal de alimentación eléctrica el panel de la cubierta (el panel se desenchaja). Presione el seguro de la batería y júlela hacia afuera de la trampa para desconectarla. Extraiga la batería jalando hacia arriba desde la parte inferior y girando la batería fuera de su posición.
2. El cargador de la batería no es apto para uso en exteriores. La batería debe cargarse en interiores.
3. Enchufe el cargador de la batería en un tomacorriente de interiores.
4. Conecte la batería recargable al cargador de batería.
5. El indicador LED del cargador de la batería se encenderá de color rojo cuando la batería esté cargándose. Cuando la batería esté totalmente cargada, el indicador LED cambiará a verde. El tiempo de carga típico es menos de dos horas.
6. El cargador de la batería es automático y surtirá una corriente segura de carga de mantenimiento cuando la batería esté totalmente cargada. No sobrecargará la batería. Para lograr la máxima vida útil de la batería, no la deje en el cargador por largos períodos de tiempo.
7. Cuando la batería esté totalmente cargada, desconecte la batería del cargador de batería y vuelva a colocarla en la unidad Mosquito Magnet Executive.
8. Inserte y conecte la batería recargable.
9. Vuelva a colocar el panel de la cubierta en la parte trasera de la unidad del cabezal de alimentación eléctrica.

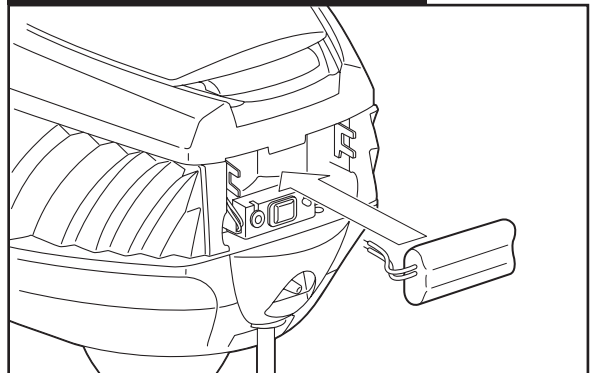
Ubicación de la trampa

1. Determine la dirección del viento predominante. Consulte los patrones del tiempo local si no está seguro.
2. Párese en el centro del área que intenta proteger y mire en dirección hacia el viento predominante.
3. La ubicación apropiada de la trampa será entre 9 y 12 m en frente de usted, con una cobertura de terreno de entre 1,5 y 1,8 m (es decir, arbustos, cantero de flores, líneas de árboles, pantano). Asegúrese que la trampa no esté ubicada contra objetos de bloqueo como edificios, cercas, etc.
4. Se recomienda ubicar la trampa en la sombra.
5. No coloque la trampa directamente debajo de una fuente de agua (rociadores, manguera, etc.).
6. La trampa debe colocarse sobre un piso plano para evitar que se voltee o que haya una distribución desigual del gas propano.
7. Para lograr una ubicación óptima de la trampa en su patio o jardín, consulte www.mosquitomagnet.com/videos para crear su propio diagrama de patio para una correcta ubicación de la trampa.

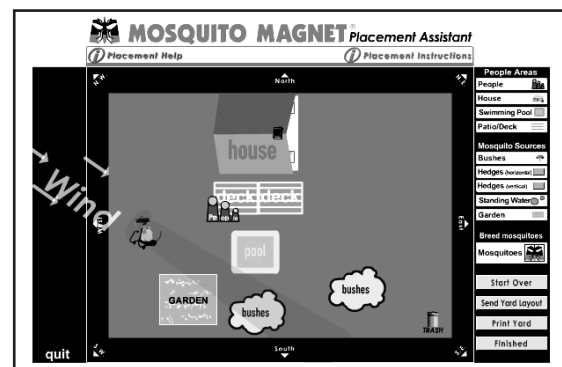
Extraiga el panel posterior



Inserte y conecte la batería



NOTA: Cerciérese de haber colocado el panel de la cubierta; la trampa no será impermeable sin el panel de la cubierta.



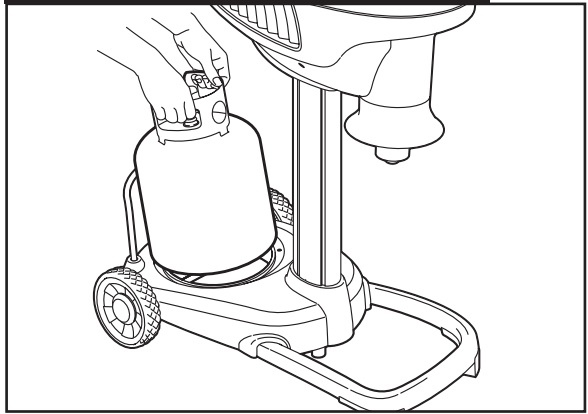
Instalación

Instalación del tanque de propano

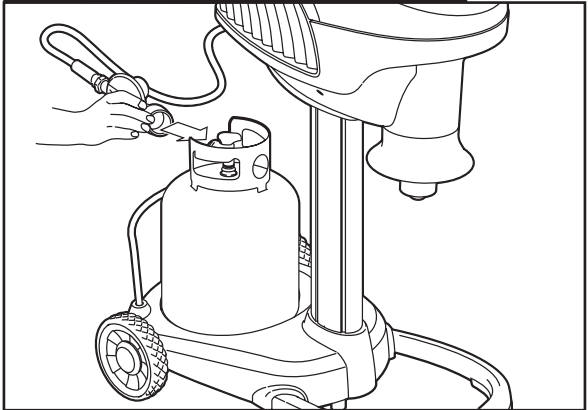
1. Después de colocar la trampa en su ubicación ideal, coloque el tanque de propano en el receptáculo moldeado.
2. Asegúrese que el tanque de propano esté completamente cerrado. Conecte la manguera del regulador de propano al tanque de propano. Asegure firmemente con la mano.
No utilice herramientas.
3. Active el gas propano girando lentamente la válvula en sentido contrario a las manecillas del reloj. Tenga cuidado de no voltear muy rápidamente para evitar que se active la válvula de seguridad.

⚠ ¡NO MUEVA LA TRAMPA CON EL TANQUE INSTALADO! DEBE DESCONECTAR EL TANQUE DEL REGULADOR ANTES DE REUBICAR LA TRAMPA PARA EVITAR DAÑAR EL REGULADOR Y/O LA TRAMPA. TENGA PRESENTE QUE EL DAÑO CAUSADO POR NO CUMPLIR CON ESTA INSTRUCCION NO ESTÁ CUBIERTO POR LA GARANTIA.

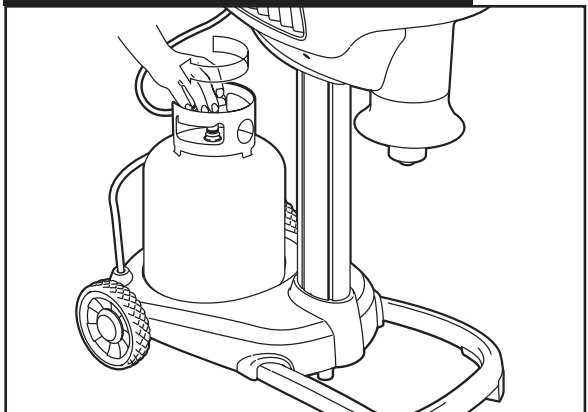
Paso 1 - Ubicación de/ tanque de propano



Paso 2 - Colocar el regulador



Paso 3 - Abrir la válvula lentamente



MOSQUITO MAGNET®

Instalación

Instalación del cebo atrayente de octenol

1. Ubique el cebo atrayente para insectos que pican Mosquito Magnet® Octenol. Saque el paquete de cebo atrayente contra mosquitos de la bolsa. Desprenda cuidadosamente la cubierta de aluminio posterior.
2. Ubique el compartimiento para portar octenol que está dentro del tubo pluma. Gire la tapa en dirección contraria a las manecillas del reloj aproximadamente 1/8 de vuelta. Retire la tapa del extremo.
3. Coloque el cebo atrayente dentro del compartimiento portador.
4. Vuelva a colocar la tapa del extremo en el compartimiento portador. Asegúrese de alinear las "patas" de la tapa con las ranuras que están dentro del compartimiento portador. Asegure la tapa volteándola en sentido de las manecillas del reloj hasta que encaje (aproximadamente 1/8 de vuelta).

Precauciones

Peligros para los seres humanos y los animales domésticos.

Precaución: Es peligroso si se ingiere. Evite que la piel, los ojos o la boca entren en contacto con las agujeros de evaporación. Lávese las manos antes de comer, beber, mascar chicle, consumir tabaco o utilizar los servicios higiénicos.

Primeros auxilios

En caso de ingestión

- Llame inmediatamente al centro de control de intoxicaciones o a un médico para solicitar consejo sobre tratamiento.
- Haga que la persona beba, a tragos cortos, un vaso de agua si puede ingerir.
- No induzca el vómito a menos que lo indique el centro de control de intoxicaciones o un médico.
- No dé nada por la boca a una persona inconsciente.

Si entra en contacto con la piel o la ropa

- Quítese la ropa contaminada.
- Enjuague la piel inmediatamente con bastante agua durante 15 a 20 minutos.
- Llame al centro de control de intoxicaciones o a un médico para solicitar consejos sobre tratamiento.

Si entra en contacto con los ojos

- Mantenga el ojo abierto y enjuague lenta y suavemente con agua durante 15 a 20 minutos.
- Quítese las lentes de contacto, si las tiene, después de los primeros 5 minutos, luego continúe enjuagando el ojo con agua.
- Llame al centro de control de intoxicaciones o a un médico para solicitar consejos sobre tratamiento.

En caso de inhalación

- Lleve a la persona al aire fresco.
- Si la persona no está respirando, llame al 911 o a una ambulancia, luego aplique respiración artificial, preferiblemente boca a boca, si es posible.
- Llame al centro de control de intoxicaciones o a un médico para solicitar consejo sobre tratamiento.

Tenga el contenedor o etiqueta del producto a la mano cuando llame al centro de control de intoxicaciones o al médico, o cuando vaya a recibir tratamiento.

Peligros medioambientales: No aplique directamente al agua. No contamine el agua al desechar el agua de limpieza o residuos de enjuague del equipo.

Instrucciones de uso:

Es una violación de la ley federal el utilizar este producto de una manera diferente a lo indicado en la etiqueta.

Cambie el cartucho cada 21 días* (Nota: Después de 21 días de uso, el cartucho tiene la misma apariencia. Sin embargo, ya no tendrá la misma eficiencia debido a que el octenol se habrá agotado).

*Basado en estudios de tasa de emisiones realizados en un ambiente a una temperatura de 80° F (27° C) durante 21 días. La emisión de octenol de este producto será mayor mientras más alta sea la temperatura del ambiente.

Almacenamiento y desecho

No contamine el agua, los alimentos, ni la comida para animales al momento de almacenar o desechar.

Almacenamiento: Almacene el cartucho de cebo atrayente sin abrir en un lugar fresco y seco. Deseche la bolsa de plástico externa en la basura.

Desecho: No vuelva a utilizar el cartucho cebo atrayente. Deseche el cartucho con cebo atrayente en la basura.

Paso 1



Paso 2



Paso 3



Paso 4



Instrucciones

****LEA EL MANUAL ANTES DE EMPEZAR****

Cargue la batería según las instrucciones descritas en la página 6e. Si se usa de manera adecuada, la batería durará toda la temporada.

Instrucciones de inicio

Se recomienda leer el manual completamente antes de empezar a utilizar la trampa de Mosquito Magnet®.

1. Para encender la trampa, presione y mantenga presionado por tres segundos el botón ON/OFF (encendido/apagado) hasta que se ilumine el indicador LED anaranjado.
2. Aparecerá RUN (funcionando) en la pantalla. También parpadearán la palabra WARM (calentando) y las flechas indicadoras en la pantalla. El indicador LED (arriba del botón ON/OFF) estará de color anaranjado.
3. El ventilador cambiará gradualmente de baja velocidad a alta velocidad después de aproximadamente 3 minutos.
4. En la pantalla parpadeará la palabra WARM y el indicador LED estará de color anaranjado durante aproximadamente 15 a 25 minutos mientras calienta la trampa.
5. Cuando la trampa alcance la temperatura de operación, el indicador LED cambiará a verde y desaparecerá WARM de la pantalla.

Instrucciones de apagado

Para apagar la trampa, presione el botón ON/OFF (encendido/apagado). Aparecerá RUN en la pantalla. Parpadearán también la palabra COOL (enfriamiento) y las flechas indicadoras en la pantalla. El indicador LED estará de color verde. Después de un período de enfriamiento de dos minutos, se detendrá el ventilador. El indicador LED se apagará y la pantalla mostrará OFF (apagado).

Cuando no está en uso

Si la unidad no está en uso, debe desactivar el cilindro de suministro de gas. Puede guardar esta unidad en interiores sólo si desconecta y retira el cilindro. Los cilindros deben guardarse en exteriores, fuera del alcance de los niños. No deben guardarse en un edificio, ni en un garaje u otro lugar cerrado.

Almacenamiento al final de la temporada

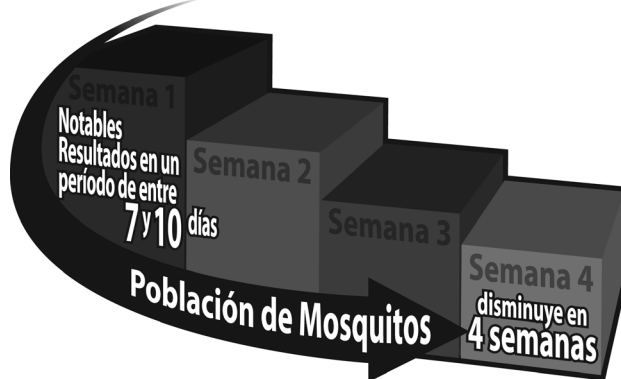
Consulte las instrucciones de apagado anteriores antes de cerrar la válvula del tanque de gas propano y desconecte el regulador. También desconecte la batería, pero asegúrese de no retirar la batería de la trampa.

Retire y deseche todo cebo atrayente Mosquito Magnet®. Consulte la etiqueta del cebo atrayente para obtener las instrucciones de desecho. También debe desecharse la bolsa de insectos antes de almacenar la trampa.

ALMACENAMIENTO: La trampa debe almacenarse en interiores en un garaje o cobertizo durante las estaciones que no se usa. Cubra la trompeta para evitar que los insectos hagan nido. Cubra la unidad con la cubierta para trampa disponible en www.mosquitomagnet.com, o con una lona protectora y asegúrela firmemente a la base para evitar el polvo, las telarañas y otros residuos.

Para obtener óptimos resultados deje funcionar la unidad 24 horas al día

- La trampa empezará a cazar inmediatamente logrando una **reducción significativa de la población de zancudos y mosquitos en 7 a 10 días**. Permita que pasen 4 semanas para reducir significativamente la población de zancudos y mosquitos en su patio o jardín.



- Deje que la trampa se enfríe durante 5 minutos antes de volver a poner en marcha la unidad.
- Nunca rocíe insecticida en la trampa ni alrededor de ésta.
- La trampa puede funcionar bajo lluvia
- Si utiliza compuestos de cal o fertilizantes, asegúrese de apagar primero la trampa para evitar el ingreso de polvo o nebulización fina que pueden atorar la bolsa de insectos.

Advertencia: La instalación, ajuste, alteración, servicio o mantenimiento inadecuados pueden causar lesiones personales o daños materiales. Lea las instrucciones de instalación, operación y mantenimiento cuidadosamente antes de instalar o dar mantenimiento a este equipo.

Precaución: Debe utilizar el regulador de presión de gas que viene con este aparato. Este regulador está fijado para una presión de salida de 11.0 pulg. (28) de columna de agua.

Cuando este aparato no esté en uso, debe apagar el suministro de gas en el cilindro de suministro de gas propano.

Lider en soporte técnico al cliente 360°

- Línea directa de atención al Cliente: 1-800-953-5737
- Registro de productos en línea
- Visite www.mosquitomagnet.com para obtener consejos para la resolución de problemas e información sobre la ubicación de la trampa
- Centros de Servicio Local - información disponible en www.mosquitomagnet.com



MOSQUITO MAGNET®

Tecnología Inteligente

Comó establecer los modos de ahorro de combustible

La trampa tiene la opción de funcionar 24 horas al día, 7 días a la semana, o en uno de 4 modos de ahorro de combustible que pueden extender la duración de su tanque de gas propano. El tanque de gas propano durará 21 días si la trampa se usa 24 horas al día, 7 días a la semana, que es lo recomendado par realizar una caza óptima de insectos. Consulte la siguiente tabla para obtener el consumo de gas propano correspondiente de acuerdo con el modo de operación.

Operación con ahorro de energía	Duración del tanque*	Apagado durante el día	Apagado durante la noche
Modo 1	22 días	1 hora	1 hora
Modo 2	24 días	2 horas	2 horas
Modo 3	27 días	3 horas	3 horas
Modo 4	30 días	4 horas	4 horas

* Basado en un tanque de gas propano de 20 lb. (9,07 kg.)

El modo de operación con ahorro de energía detendrá el uso del gas propano a mitad del día y durante la mitad de la noche. La investigación ha mostrado que la actividad de las mosquitos generalmente es más baja durante estos períodos de tiempo.

NOTA: El sistema de "tecnología inteligente" aprende automáticamente las ciclos del día y de la noche en un período de 24 horas mientras está en el modo de ahorro de combustible. Este sistema utiliza un sensor fotoeléctrico que permite a la trampa aprender y ajustar los períodos de desactivación en base a los cambios en las horas de amanecer y atardecer a medida que cambian las estaciones.

Modos de ahorro de combustible

1. Presione el botón MODE (modo) para seleccionar el ajuste del modo de ahorro de gas.

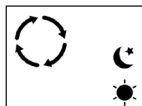


2. Cada vez que se presiona el botón MODE, el modo alterna entre los modos 1, 2, 3, 4, apagado, 1, etc.



3. El Modo 1 desactivará la trampa 1 hora a mitad del día y 1 hora a mitad de la noche. Los modos 2, 3, y 4 horas de desactivación respectivamente.

4. Para indicar que la trampa está en el modo de ahorro de combustible, parpadearán las flechas y se apagará la luz LED verde. Adicionalmente, el elemento Sol parpadeará durante el día y el elemento Luna parpadeara durante la noche cuando la trampa esté en el modo de ahorro de combustible. El ventilador continuará funcionando en la trampa, a una velocidad reducida, para evitar que se escapen los zancudos, pero no capturará insectos adicionales durante este período de tiempo.



5. Si la trampa se establece en el modo de ahorro de energía, la batería debe desconectarse y luego reconectarse cada vez que se vuelva a llenar el tanque de gas propano. Es necesario desconectar la batería para restablecer el temporizador de ahorro de energía.



Desactivación por temperatura fría

La trampa tiene un sensor de temperatura que se puede utilizar para poner automáticamente la trampa en un modo de espera cuando la temperatura del aire exterior y la temperatura de la trampa son tanto por debajo de un punto de ajuste seleccionable por el usuario. La investigación ha demostrado que hay muy poca actividad de los mosquitos cuando la temperatura cae por debajo 50°F (10°C). Sin embargo, en algunos lugares y con algunas especies de mosquitos, la actividad pueden continuar a temperaturas inferiores a 50°F (10°C). La trampa tiene un seleccionable por el usuario frío punto de partida de apagado temperatura a 50°F (10°C) e incrementando abajo en incrementos de 5°F (2,8°C) a una temperatura mínima de 30°F (-1 °C). La configuración predeterminada en la trampa es no shutdown temperatura fría.

Para acceder a los parámetros de apagado del frío, mantenga presionado el botón Mode durante al menos 3 segundos hasta que aparezca el menú de apagado frío. Alternar entre las opciones de temperatura pulsando el botón de modo, a partir de apagado (en blanco) y luego a 30, 35, 40, 45 y 50 (°F). Continuando para alternar el botón Modo después de los 50 volverá a Off (en blanco) y luego repetir el ciclo. Una vez que una selección de temperatura se ha hecho, deje de pulsar el botón Mode; espere unos 3 segundos; y su elección de temperatura se guardará automáticamente.

Si la trampa está en marcha (la palabra RUN es visible y la luz LED verde está encendido), y un valor de apagado temperatura fría ha sido seleccionado, la trampa se apagará cuando la temperatura del aire y la temperatura de la trampa ha caído por debajo de ese punto de ajuste. Cuando la trampa está en el modo de apagado frío de la palabra sobre el EPO y el icono del termómetro parpadea. La trampa se reiniciará cuando el sensor de temperatura indica que la temperatura del aire y la temperatura de la trampa son aproximadamente 5°F (2,8°C) por encima del valor de parada fría temperatura seleccionada. Si la trampa esta en el modo de calentamiento cuando la temperatura cae por debajo del punto de ajuste seleccionado se apagará, pero no se reiniciará automáticamente.



Advertencia sobre batería baja

El icono de batería y la palabra ATTENTION (Atención) parpadearan si necesita, recargarse la batería.

Bloqueo de seguridad para los niños

El botón ON/OFF (encendido/apagado) debe presionarse durante 3 segundos para encender la trampa.



Mantenimiento

Mantenimiento

Si está usando uno de nuestros modos de ahorro de combustible, asegúrese de ajustar las fechas indicadas en la siguiente tabla (vea la tabla en la página 13i para coordinar el programa de mantenimiento con el modo de operación).

- ***Ciclo de mantenimiento de 21 días - para un rendimiento óptimo***
 - Recargue el gas propano. (El propano dura aproximadamente 21 días con un funcionamiento de 24 horas durante 7 días.)
 - Cambie el cartucho de cebo atrayente de corto alcance. Consulte la etiqueta del cebo atrayente Mosquito Magnet® para obtener instrucciones.
 - Vacíe o cambie la bolsa de insectos.
- Periodicamente limpie el exterior de la trampa con un trapo limpio y húmedo.
- Cargue la batería durante 24 horas al comienzo de la temporada.

Consejos para cambiar el tanque de propano





Al conectar la perilla del regulador a un tanque después de un cambio de tanque, asegúrese de ajustar completamente la perilla del regulador al tanque. No necesita utilizar herramientas, pero asegúrese de girar la perilla todo lo posible a mano. Después de hacer esto, afloje la perilla 1/4 de vuelta, luego vuelva a ajustar para lograr el sello máxima.

El propósito de esto es enganchar el regulador completamente al tanque. Si el regulador no está completamente enganchado, puede restringirse el flujo de gas al punto en que la trampa indicará el código de falta de gas. Si esto ocurre, presione el botón OFF (apagado), cierre la válvula del tanque, y retire el regulador del tanque. Vuelva a colocar el regulador e intente nuevamente.



MOSQUITO MAGNET®

Solución de problemas

Problema	Causa probable	Soluciones
<p>La unidad no arranca La unidad no continúa funcionando</p> <p>LCD </p> <p>LED - El indicador LED rojo parpadea a intervalos de 7 segundos</p>	<ol style="list-style-type: none"> 1. El tanque de gas propano puede estar vacío. 2. Si el tanque de gas propano es nuevo y se ha llenado recientemente, debe purgarse. 3. Una conexión puede estar floja. 4. La línea de combustible puede estar bloqueada por contaminantes del gas propano. 5. El regulador no está completamente enganchado. 6. La bolsa de insectos puede estar llena u obstruida. 	<ol style="list-style-type: none"> 1. Pese el tanque y compárelo con el peso del tanque "vacío". 2. Lleve el tanque al centro de llenado. Es posible que haya aire en la línea de combustible. Solicite que se purgue el tanque. 3. Verifique todas las conexiones. Asegúrese de que la válvula del tanque de gas propano esté completamente abierta. 4. Reemplace la bolsa para insectos.
<p>La unidad no continúa funcionando</p> <p>LCD </p> <p>LED - Parpadea de color rojo/anaranjado a intervalos de 7 segundos</p>	<ol style="list-style-type: none"> 1. Baja voltaje de la batería. 	<ol style="list-style-type: none"> 1. Cargue la batería antes de usar la unidad por primera vez y al comienzo de cada temporada. El indicador LED del cargador se encenderá de color verde cuando la batería esté totalmente cargada. 2. Revise la conexión de la batería; asegúrese de que este totalmente insertada y enganchada. 3. Si una batería totalmente cargada indica bajo voltaje de la batería durante el ciclo, recargue o reemplace la batería.
<p>La unidad se apaga</p> <p>LCD </p> <p>LED - Parpadea de color rojo/verde a intervalos de 7 segundos</p>	<ol style="list-style-type: none"> 1. Alta temperatura. 	<ol style="list-style-type: none"> 1. Apague la trampa y deje que se enfríe durante una hora, luego vuelva a encenderla. Si el código persiste, llame al Servicio de Atención al Cliente al: 1-800-953-5737.
<p>La unidad se apaga</p> <p>LCD </p> <p>LED - Parpadeo doble del indicador LED rojo a intervalos de 7 segundos</p>	<ol style="list-style-type: none"> 1. Fallo del termistor. 	<ol style="list-style-type: none"> 1. Comuníquese con el Servicio de Atención al Cliente llamando al: 1-800-953-5737.
<p>La unidad se apaga LED - Rojo fijo</p>	<ol style="list-style-type: none"> 1. Fallo eléctrico 	<ol style="list-style-type: none"> 1. Comuníquese con el Servicio de Atención al Cliente llamando al: 1-800-953-5737.
<p>Ninguna caza o bajo nivel de caza</p>	<ol style="list-style-type: none"> 1. Es posible que todavía no hayan salido los insectos. 2. Problema con la ubicación de la trampa. 3. No se han interrumpido aún los ciclos reproductivos de los insectos que pican. 4. La tecnología de flujo inverso "Counterflow" puede estar interrumpida. 	<ol style="list-style-type: none"> 1. Verifique que la temperatura esté constantemente sobre el nivel de 50°F (10°C). 2. Siga los pasos descritos en la sección "Ubicación de la trampa" del manual del propietario. 3. Mantenga la trampa en operación constante 24 horas al día, 7 días a la semana durante por lo menos 4 semanas para reducir la población de mosquitos. 4. El flujo de aire puede estar restringido. Comuníquese con su proveedor de servicio local.



Garantía limitada

Garantía limitada

Esta garantía por (1) año a partir de la fecha de la compra de la unidad, se extiende sólo al comprador/usuario original de los productos. Esta garantía limitada comienza en la fecha de compra original y es válida sólo para productos comprados y usados en los Estados Unidos.

Woodstream® Corporation garantiza que sus productos están libres de defectos en materiales y mano de obra por el período de garantía otorgado al comprador/usuario original.

Para obtener el servicio de garantía, por favor comuníquese con el Servicio de Atención al cliente llamando al (800) 953-5737. Por favor, indique la naturaleza del defecto. El servicio de garantía sólo puede realizarlo un Centro de Servicio Certificado por Mosquito Magnet®.

Si Woodstream® Corporation determina que puede haber un defecto, Woodstream® Corporation le entregará un número de Autorización de Devolución de Producto (RGA, por las siglas en inglés de Return Goods Authorization). La unidad o partes defectuosas deben devolverse para la inspección de garantía utilizando el número RGA, si corresponde, como identificación, dentro de un plazo de (30) días a partir de la fecha de autorización de la devolución.

NO devuelva los productos a nuestra fábrica sin consentimiento previo ya que los mismos, así como los envíos con pago al momento de entrega (C.O.D.) serán rechazados.

Woodstream® Corporation o un agente, como opción alternativa, reemplazarán la unidad, reemplazarán la parte o partes defectuosas y le devolverán la unidad a usted. La única obligación de Woodstream® Corporation y el único recurso que tiene usted bajo esta garantía se limitará a dicho reemplazo.

Limitaciones y exclusiones:

La garantía no se aplicará a problemas que resulten del desgaste normal o por el hecho de no seguir las instrucciones que se adjuntan. Adicionalmente, la presente garantía no se aplicará a productos con números de serie si el número de serie ha sido retirado o borrado; productos sometidos a negligencia, accidente, operación, mantenimiento o almacenamiento inapropiados; productos dañados por circunstancias fuera del control de Woodstream® Corporation; productos modificados (tales como, entre otras, modificaciones como resultado del uso de partes o aditamentos no autorizados) o reparados por personas que no sean de Woodstream® Corporation o las personas que la compañía designe.

La presente garantía reemplaza a todas las otras garantías, explícitas o implícitas tales como, entre otras, las garantías implícitas de comercialización e idoneidad para un propósito particular. No se extenderá por un plazo mayor a la duración de la garantía expresa indicada en la presente, y el recurso por las violaciones de cualquier garantía se limitará a la reparación o reemplazo del producto defectuoso en conformidad con los términos aquí especificados. Woodstream® Corporation no será responsable por daños consecuentes o incidentales de ninguna clase.

Esta garantía le proporciona a usted derechos legales específicos y también puede tener otros derechos legales que pueden variar según el lugar.



MOSQUITO MAGNET®