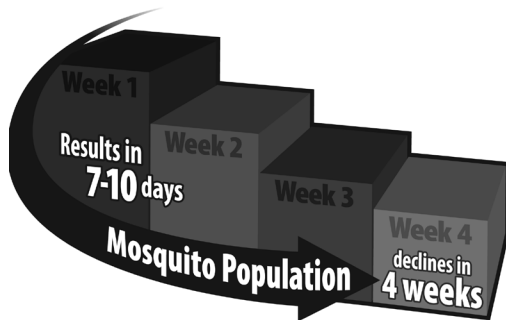




MOSQUITO MAGNET®

Advanced Mosquito Defense Systems

Attracts and Kills Mosquitoes



Cordless



INDEPENDENCE

For Outdoor Use Only
1440-079

Operation Manual





CAUTION - The appliance is not to be used by persons (including children) with reduced physical, sensory or mental capabilities, or lack of experience and knowledge, unless they have been given supervision or instruction - children being supervised not to play with the appliance.



The symbol on the product or its packaging indicates that this product must not be disposed of with your other household waste. Instead, it is your responsibility to dispose of your waste equipment by handing it over to a designated collection point for the recycling of waste electrical and electronic equipment. The separate collection and recycling of your waste equipment at the time of disposal will help conserve natural resources and ensure that it is recycled in a manner that protects human health and the environment. For more information about where you can drop off your waste for recycling, please contact your local authority, or where you purchased your product.



MERK - Apparatet skal ikke brukes av personer (inkludert barn) med reduserte fysiske, sensoriske eller mentale evner, eller mangel på erfaring og kunnskap, med mindre de er under tilsyn eller blir instruert. Barn under tilsyn skal ikke leke med apparatet.



Symbolet på produktet eller emballasjen indikerer at produktet ikke må kastes sammen med annet husholdningsavfall. Det er ditt ansvar å avhende utstyret ved å levere det til et egnet innsamlingssted for resirkulering av elektrisk og elektronisk utstyr. Separat innsamling og gjenvinning av kassert utstyr på tidspunktet for avhending vil bidra til å bevare naturressursene og sikre at det resirkuleres på en måte som ivaretar helse og miljø. For mer informasjon om hvor du kan levere avfall til gjenvinning, kan du kontakte lokale myndigheter eller der du kjøpte produktet.



HUOMIO – Henkilöiden (mukaan lukien lapset), joiden fyysinen, henkinen tai aistikapasiteetti on heikentynyt tai joilla ei ole tarvittavaa kokemusta tai tarvittavia tietoja, ei tule käyttää tätä laitetta, ellei heitä valvota tai ellei heitä ole opastettu sen käytössä. Lapsia tulee vahtia, etteivät he leiki laitteen kanssa.



Tuotteessa tai sen pakkauksessa oleva merkintä tarkoittaa, ettei tätä tuotetta saa hävittää kotitalousjätteen mukana. Sen sijaan on sinun vastuullasi, että hävität käytetyn laitteen viemällä sen elektronisille ja sähkölaitteille tarkoitettuun keräyspisteeseen kierrätystä varten. Käytetyn laitteen hävittäminen erikseen kierrättämällä auttaa säilyttämään luonnonvaroja ja varmistamaan, että laite kierrätetään ihmisten terveyttä ja ympäristöä suojelevalla tavalla. Lisätietoja siitä, mihin voit viedä kierrätysjätteet, saat ottamalla yhteyttä paikallisiin viranomaisiin tai tuotteen myyntipaikkaan.



VAR FÖRSIKTIG! Anordningen får inte användas av personer (inklusive barn) med nedsatt fysisk, sensorisk eller mental förmåga eller som saknar erfarenhet eller kunskap, förutom när de övervakas eller instrueras. Man måste även säkerställa att barn inte leker med anordningen.



Symbolen på produkten eller på dess förpackning anger att produkten inte får slängas med hushållsavfall. Det åligger dig istället att kassera anordningen genom att ta den till en designerad samlingspunkt för återvinning av kasserad elektrisk och elektronisk utrustning. Den separata insamlingen och återvinningen av din kasserade utrustning bidrar till att skydda naturresurser och säkerställa att den återvinns på ett sätt som skyddar människors hälsa och miljön. För mer information om vart du kan ta ditt avfall för återvinning ska du kontakta lokala myndigheter eller platsen där du köpte produkten.



ВНИМАНИЕ – Настоящим прибором нельзя пользоваться лицам (включая детей) с ограниченными физическими возможностями, характеристиками сенсорной системы и умственными способностями; лицам, не обладающим достаточным опытом или знаниями, или не получившим необходимых инструкций или подготовки; необходимо следить за тем, чтобы дети не играли с настоящим прибором.



Знак на этом приборе или на его упаковке указывает на то, что настоящий прибор нельзя выбрасывать с бытовым мусором. Вместо этого, Вы обязаны утилизировать использованный прибор, оставив его в соответствующем пункте сбора утильсырья и отходов производства электрического и электронного оборудования. Сбор и утилизация Вашего использованного оборудования поможет в сохранении природных ресурсов, в защите здоровья людей и окружающей среды. За дополнительной информацией о том, куда можно принести использованный прибор для утилизации, обращайтесь в местные органы власти или в место приобретения прибора.



ATTENZIONE - Questo apparecchio non deve essere utilizzato da persone (bambini inclusi) con ridotte capacità fisiche, sensoriali o mentali, o persone che non abbiano adeguata esperienza o conoscenza, a meno che non siano sotto stretta sorveglianza o siano state adeguatamente istruite circa l'uso dell'apparecchio stesso. I bambini sotto la supervisione di un adulto non devono giocare con questo apparecchio.



Il simbolo sul prodotto o sull'imballaggio indica che questo apparecchio non può e non deve essere smaltito con altri rifiuti domestici. Pertanto, è vostra responsabilità consegnare questo prodotto da smaltire ad un ente specializzato nel riciclaggio di materiale elettrico ed elettronico. La raccolta differenziata e il riciclaggio di tali rifiuti nel momento dello smaltimento aiuteranno a preservare le risorse naturali e garantiranno un riciclaggio adatto a proteggere il benessere dell'uomo e dell'ambiente. Per ulteriori informazioni su dove poter smaltire i rifiuti riciclabili, si prega di contattare l'autorità locale pertinente, o il punto vendita dove si è acquistato il prodotto.



MISE EN GARDE – Cet appareil ne doit pas être utilisé par des personnes (y compris des enfants) dont les capacités physiques, sensorielles ou mentales sont réduites ou qui ne possèdent pas l'expérience et les connaissances requises, sauf s'ils sont supervisés ou reçoivent les instructions; les enfants, même supervisés, ne doivent pas jouer avec l'appareil.



Le symbole apposé sur le produit ou son emballage indique qu'il ne doit pas être mis au rebut avec les déchets ménagers. Il vous incombe de mettre au rebut votre équipement usagé en l'apportant à un point de collecte désigné pour le recyclage de l'équipement électrique et électronique. La collecte et le recyclage séparés de votre équipement usagé au moment de la mise au rebut permettra de préserver les ressources naturelles et de s'assurer qu'il est recyclé d'une manière qui protège la santé humaine et l'environnement. Pour de plus amples renseignements sur l'endroit où vous pouvez déposer les déchets à recycler, veuillez vous adresser aux autorités locales ou au magasin où vous avez acheté le produit.



PRECAUCIÓN: el aparato no debe ser utilizado por personas (incluidos niños) que tengan su capacidad física, sensorial o mental disminuida, o falta de experiencia y conocimientos, a menos que cuenten con supervisión o instrucciones (los niños deben ser supervisados para que no jueguen con el electrodoméstico).



El símbolo que aparece en el producto o el embalaje indica que este producto no debe desecharse como si fuese cualquier otro producto desechable de su hogar. En su lugar, usted es responsable de desechar el aparato depositándolo en uno de los puntos de recogida designados para reciclaje de productos eléctricos o electrónicos. Al separar y reciclar su equipo desechable de este manera, ayudará a conservar los recursos naturales y a asegurarse de que el reciclaje se realice de tal modo que proteja la salud humana y el medioambiente. Para más información sobre dónde depositar el producto desechable para su reciclaje, póngase en contacto con las autoridades de su localidad, o con el establecimiento donde adquirió el producto.



CUIDADO - O aparelho não deverá ser usado por pessoas (incluindo crianças) com reduzidas capacidades físicas, sensoriais nem mentais, nem com falta de experiência ou de conhecimentos, a não ser que lhes tenham sido dada instrução ou supervisão - deverá haver vigilância para que as crianças não brinquem com o aparelho.



O símbolo no produto ou na sua embalagem indica que este produto não deverá ser descartado com outros lixos caseiros. Em vez disso, será da sua responsabilidade eliminar o seu equipamento descartado entregando-o num local de recolha de equipamentos eléctricos e electrónicos descartados para serem reciclados. A recolha separada e a reciclagem dos seus equipamentos descartados na ocasião da sua eliminação ajudarão a conservar os recursos naturais e a assegurar que eles sejam reciclados de uma maneira que proteja a saúde humana e o ambiente. Para obter mais informações sobre onde poderá entregar os seus lixos para reciclagem, por favor contacte as suas autoridades locais ou o local onde comprou o seu produto.



ADVARSEL - Apparatet må ikke anvendes af personer (herunder børn) med nedsatte fysiske, sensoriske eller mentale evner eller manglende erfaring og viden, medmindre de er blevet vejledt eller instrueret – børn, også dem, der er under opsyn, må ikke lege med apparatet.



Symbolet på produktet eller emballagen angiver, at dette produkt ikke må bortskaffes sammen med andet husholdningsaffald. I stedet er det dit ansvar at bortskaffe det brugte udstyr ved at aflevere det på et angivet indsamlingssted for genbrug af kasseret elektrisk og elektronisk udstyr. Denne særskilte indsamling og genbrug af dit kasserede udstyr på tidspunktet for bortskaffelsen hjælper med at bevare naturens ressourcer og sikrer, at udstyret genbruges på en måde, der beskytter menneskers helbred og miljøet. For mere information om, hvor du kan aflevere dit affald til genbrug, bedes du kontakte din kommune eller det sted, hvor du købte produktet.

Welcome

Congratulations on your purchase of Mosquito Magnet®. Now you can begin to enjoy your outdoor living space again.

Mosquito Magnet® is the #1 mosquito trap in North America. Backed by 18 years of research and independent testing, Mosquito Magnet® is scientifically proven to effectively reduce mosquitoes & other biting insects from your yard.

Mosquito Magnet® is easy to use. The link www.mosquitomagnet.com/videos, provides key information for getting started. In this manual, you'll learn everything you need to know about how it works, optimal trap placement, maintenance, storage and warranty information. The keys to success are trap placement, utilization of the correct attractant for your area and routine maintenance. For optimal catch rate, you'll need to change the propane tank and attractant every 21 days.

Our Customer Care line is available to answer all your questions regarding your new purchase. Please feel free to contact us...

Customer Care: 1-800-953-5737

Visit us online at www.mosquitomagnet.com for additional information regarding Mosquito Magnet® tips, testimonials, and additional product offerings.

Woodstream® Corporation

69 North Locust Street
Lititz, PA 17543
1-800-953-5737
www.mosquitomagnet.com

The Mosquito Magnet® traps are covered by one or more of the following patents:

USA Nos. 5,813,166; 6,145,243; 6,286,249; 6,817,140;
6,840,005; 6,848,466; 6,892,492; 7,074,830; 7,243,458;
7,281,351; 7,293,387; 7,536,824; 7,614,180; 7,752,803;
7,987,631; 8,067,469; 8,051,601 and 8,141,291
Other patents pending

Made in China

FOR YOUR SAFETY

If you smell gas:

1. Shut off the gas to the appliance.
2. Extinguish any open flame.
3. Open lid.
4. If odor continues, immediately call your gas supplier or your fire department.

FOR YOUR SAFETY

1. Do not store or use gasoline or other flammable vapors and liquids in the vicinity of this or any other appliance.
2. An LP cylinder not connected for use shall not be stored in the vicinity of this or any other appliance.



MOSQUITO MAGNET®

Contents

Welcome/Contents	1-2
Safety Instructions	3-4
Principle Parts	5
Assembly Instructions	6
Set-Up	7-9
Bug Bag Installation	
Charging Instructions	
Trap Placement	
Propane Tank Installation	
Octenol Attractant Installation	
Instructions	10
Starting Instructions	
Shut Down Instructions	
When Not In Use	
End of Season Storage	
For Best Results	
Maintenance	11
Maintenance	
Propane Tank Changing Tips	
Maintenance Schedule	
Troubleshooting	12
Limited Warranty	13

Questions or Comments

Please contact Woodstream® Corporation if you have any questions or experience any problems with your Mosquito Magnet®:
1-800-953-5737

Woodstream® Corporation
 69 North Locust Street
 Lititz, PA 17543
www.mosquitomagnet.com

Model No.:	Independence™
Serial No.:	
Type of Gas:	Propane
Manifold Pressure:	100 – 110 psi
Minimum Gas Supply Pressure:	11.0 in. WC
Input Rating:	759 Btu/Hr.
Minimum Clearances:	20 – 24”



How the Mosquito Magnet® Works

Mosquitoes and other biting insects use the long-range attractant carbon dioxide (CO₂) to locate people. Once in close proximity, mosquitoes use short-range attractants such as scents emitted from the skin, to determine which person they are going to bite. The Mosquito Magnet® mimics a human by converting propane to CO₂, with its patented catalytic conversion technology, in combination with a short-range attractant.

Attracted by the CO₂ and short-range attractant, mosquitoes and other biting insects are drawn to the Mosquito Magnet®. When they reach the trap, the insects are vacuumed into a bug bag by our patented Counterflow Technology™, where they dehydrate and die within 24 hours.

The Mosquito Magnet® is silent, odorless and runs 24/7. When properly placed in your yard, the **trap begins working immediately. Noticeable results can be achieved in 7 to 10 days.** To greatly reduce your biting insect population, allow 4 weeks. Leave the Mosquito Magnet® out all summer long, to control the mosquito population in your yard.

Only biting insects are targeted including mosquitoes, no-see-ums, black flies and midges. Beneficial insects such as butterflies, bees or moths are not targeted.



MOSQUITO MAGNET®

Safety Instructions

Please read and follow all safety instructions and warnings.

Children and adults should be alerted to the hazards of high surface temperatures and should stay away to avoid burns or clothing ignition.

Young children should be carefully supervised when they are in the area of the trap. Keep out of reach of children.

Clothing or other flammable materials should not be hung from the trap, or placed on or near the trap.

Note: Some or all of the following required safety instructions for propane powered devices may apply to your trap. Allow trap to cool for 5 minutes before re-starting.

Warning: Improper installation, adjustment, alteration, service or maintenance can cause injury or property damage. Read the installation, operating and maintenance instructions thoroughly before installing or servicing the trap.

Caution: The gas pressure regulator provided with this appliance must be used. This regulator is set for an outlet pressure of 11.0 in. Water Column. The minimum inlet gas supply pressure is 11.0 in. Water Column from regulator.

- This unit is not intended to be installed in or on recreational vehicles and/or boats.
- The gas supply must be turned off at the LP-Gas supply cylinder when this appliance is not in use.
- The installation must conform with local codes or, in the absence of local codes, with the National Fuel Gas Code, ANSI Z223. 1-1998 for US and with the CAN1-B149 for Canada.
- To test for a gas leak, place soapy water around the connector, regulator, and gas hose assembly. If bubbles appear, there is a gas leak.
- Inspect the hose before each use of the unit. If it is evident there is excessive abrasion or wear, or the hose is cut, it must be replaced prior to the unit being put into operation. The replacement hose shall be that specified by the manufacturer.
- The trap is equipped with an internal spark ignition device. Failure to follow starting procedure will result in the trap not starting.
- Installation and repair should be done by a qualified service person (find service centers on www.mosquitomagnet.com). The heater should be inspected before use and at least annually by a qualified service person. More frequent cleaning may be required as necessary. It is imperative that the control compartment, burners, and circulating air passageways of the trap be kept clean.



MOSQUITO MAGNET®

Safety Instructions

- Maintain adequate clearances of 20"–24" around air openings into the combustion chamber, clearances from combustible material, provisions for accessibility and for combustion and ventilating air supply. Keep the trap area clear and free from combustible materials, gasoline, and other flammable vapors and liquids. The appliance is not to be used in locations where flammable vapor or explosive dust is likely to exist.
- Do not obstruct the flow of combustion and ventilation air.
- Keep the ventilating openings of the cylinder enclosure free and clear from debris.
- Clean the trap with a damp cloth, if necessary.
- A maximum of a 20 lb LP-Gas cylinder shall be used.
- The LP-Gas cylinder must be provided with a shut-off valve terminating in an LP-Gas supply cylinder valve outlet specified for Connection No. 510 in the Standard for Compressed Gas Cylinder Valve Outlet and Inlet Connections, ANSI/CGA-V-1-1977.
- The LP-Gas cylinder supply system must be arranged for vapor withdrawal and the cylinder must include a collar to protect the cylinder valve.
- The LP-Gas cylinder used shall be constructed and marked in accordance with the specifications for LP-Gas cylinders of the U.S. Department of Transportation (DOT) or The National Standard of Canada CAN/CSA-B339.
- The trap shall be used outdoors only in a well ventilated space and shall not be used in a building, garage, or any other enclosed area.
- The LP-Gas cylinder must be disconnected and removed from the appliance, if the appliance is stored indoors.
- LP-Gas cylinders must be stored outdoors in a well-ventilated area out of reach of children.
- Disconnected cylinders must have threaded valve plugs tightly installed and must not be stored in a building, garage, or any other enclosed area.
- The pressure regulator and hose assembly supplied with this appliance must be used for connection to the LP-Gas cylinder. Replacement pressure regulators and hose assemblies must be specified by the manufacturer.
- Avoid improper use of extension cords. Keep connections away from moisture and avoid damage to the cord.
- If the supply cord is damaged, it must be replaced by the manufacturer or its service agent or a similarly qualified person in order to avoid hazard.

Please contact Customer Care
if you have any questions at:

1-800-953-5737

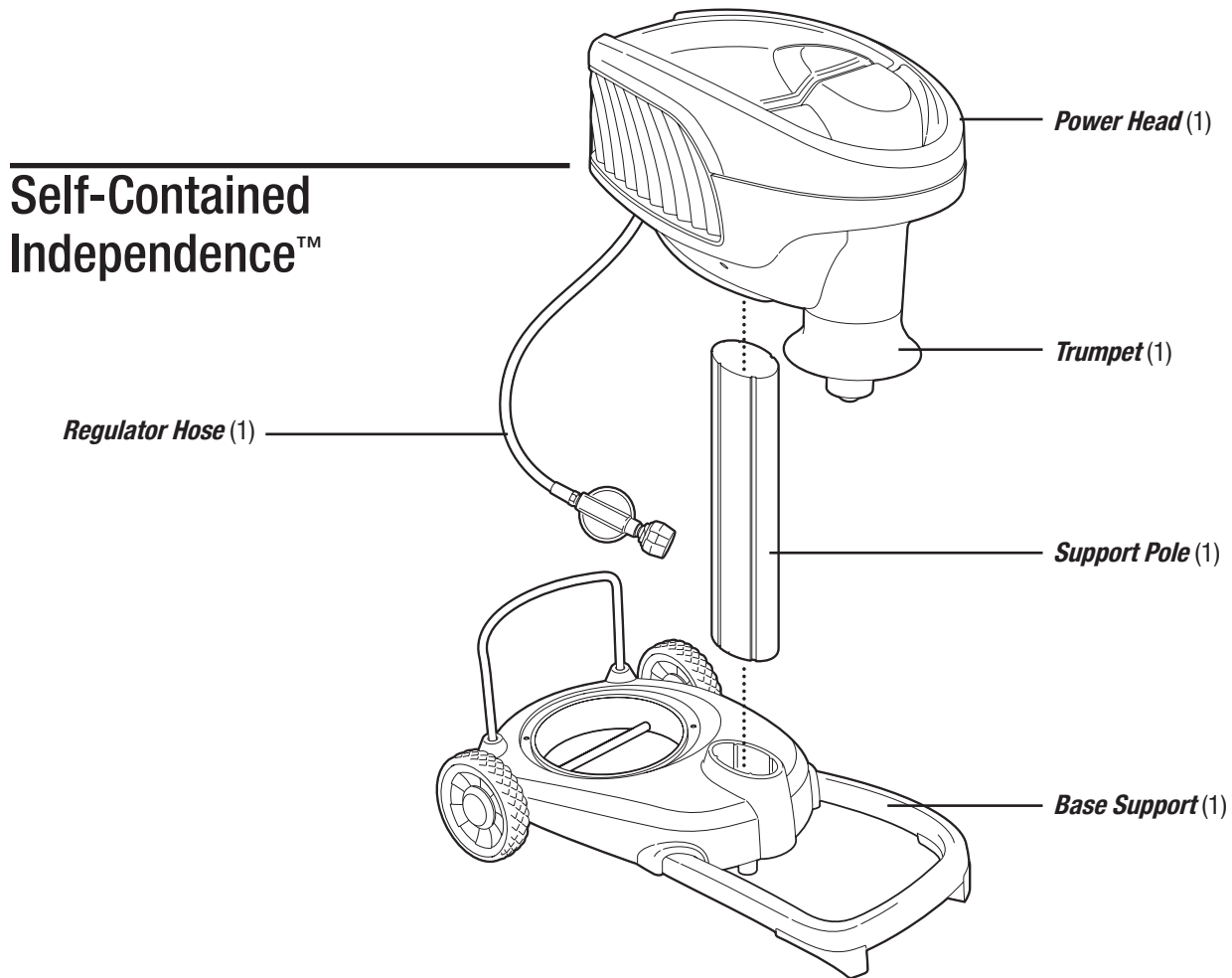
or visit www.mosquitomagnet.com

⚠ Warning: SHOCK! An electric shock hazard may exist if water from a garden hose is directed at the Mosquito Magnet®. Route the power cord in the safest possible manner to avoid personal injury.



MOSQUITO MAGNET®

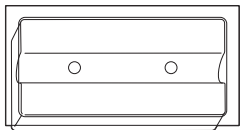
Principle Parts



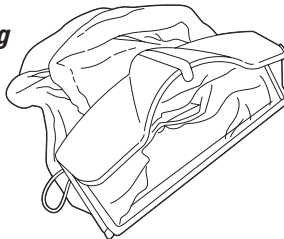
Parts Included

Mosquito Magnet Octenol Biting Insect Attractant

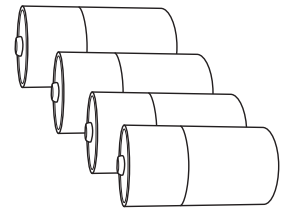
EPA Reg. No. 72563-1 (Short-Range Attractant)



Bug Bag



4 "C" Batteries



"C" Size Batteries recommended:

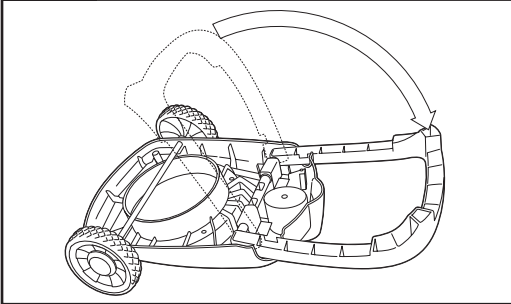
- Micropower
- Panasonic Extreme Power
- Duracell Ultra
- Energizer Ultra +



Assembly Instructions

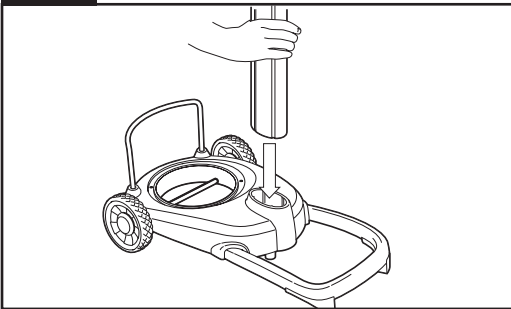
Trap Assembly:

Step 1



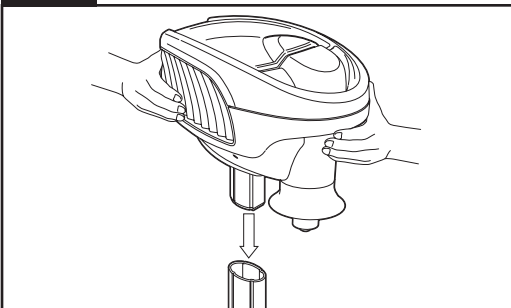
Place base upside down on a flat surface, unfold U-shaped support leg until it locks in place.

Step 2



Turn base and leg assembly right-side-up and place support pole into cavity in base.

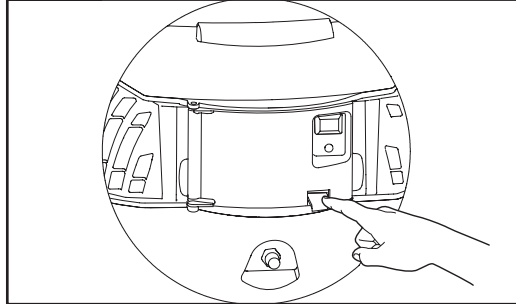
Step 3



Place trap power head onto pole. Press down firmly with two hands to secure.

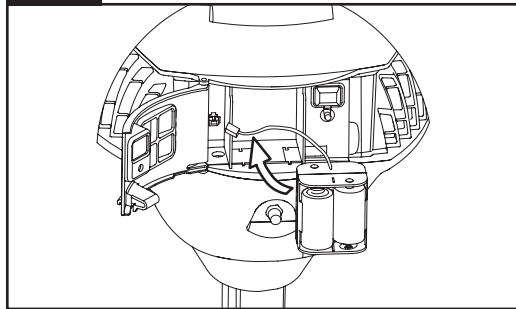
Assembled trap should have the front of power head/trumpet placed farthest from the wheels in the same direction as base U-shaped legs.

Step 4



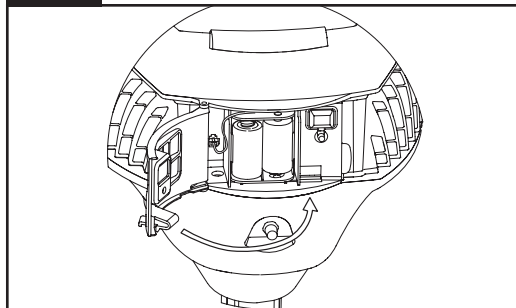
Open battery door in the rear of the trap.

Step 5



Place four (4) "C" batteries in the battery cage. Insert battery cage connector in the power receptacle until it latches, then insert the battery cage in the opening.

Step 6



Close battery door when complete (snaps into place).



MOSQUITO MAGNET®

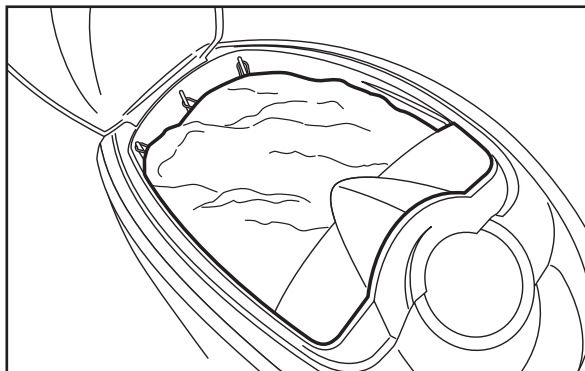
Set-Up

Bug Bag Installation:

Reach in the bug bag and fully open the drawstring entrance before installing. This will help optimize the airflow which will enhance the performance of your trap.

Lift clear plastic lid and lock plastic holding bracket of bug bag into front of compartment. Close plastic lid when finished.

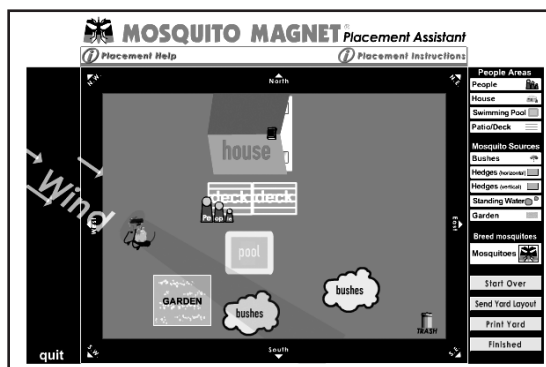
Note: Fabric loops hook over plastic posts allowing bug bag to expand to its highest capacity.



Bug bag locks into front of compartment

Trap Placement

1. Determine the direction of the prevailing wind. Check local weather patterns if you are unsure.
2. Stand in the center of the area you are trying to protect and look toward the prevailing wind.
3. Proper placement of the trap will be 30 – 40 feet in front of you, within 5-6 feet of ground cover (i.e. bushes, flowerbeds, tree line, marshbed). Ensure that trap is not directly against any blockades such as buildings, fences, etc.
4. It is recommended that the trap be placed in the shade.
5. Do not place trap directly above a water source (sprinklers, hose, etc.).
6. Trap must be placed on level ground to avoid tipping or uneven propane distribution.
7. For optimal trap placement in your yard, refer to the instructional video at www.mosquitomagnet.com/videos to build your own yard diagram for correct trap placement.



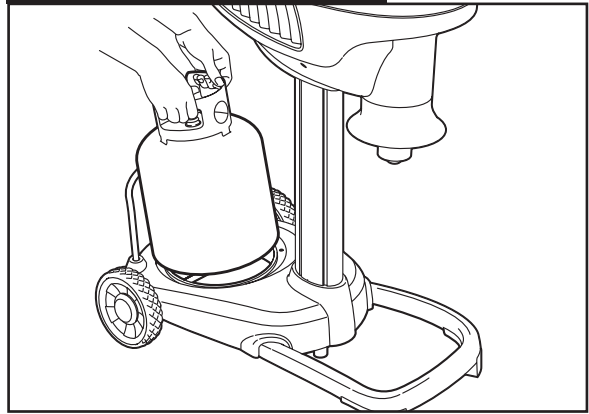
Set-Up

Propane Tank Installation

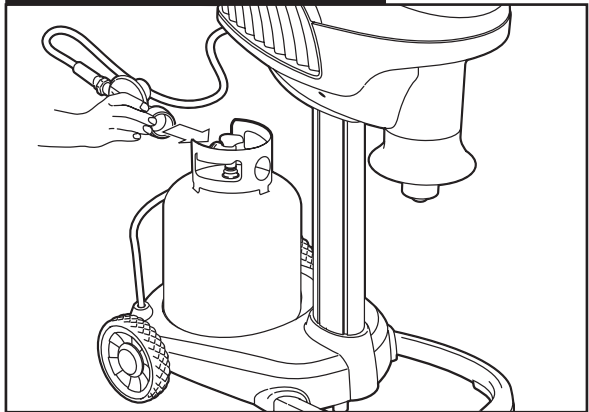
1. After trap is placed in its ideal location, place propane tank onto the molded cradle.
2. Make sure propane tank is fully closed. Attach propane regulator hose to propane tank. Secure tightly by hand. ***Do not use tools.***
3. Turn propane on by slowly turning valve counter-clockwise. Take care not to turn too quickly to avoid engagement of safety valve.

⚠ DO NOT MOVE TRAP WITH TANK ATTACHED!
TANK MUST BE DISCONNECTED FROM REGULATOR BEFORE TRAP IS RELOCATED TO AVOID DAMAGE TO REGULATOR AND/OR TRAP. BE ADVISED, DAMAGE CAUSED FROM FAILURE TO COMPLY WITH THIS INSTRUCTION IS NOT COVERED UNDER WARRANTY.

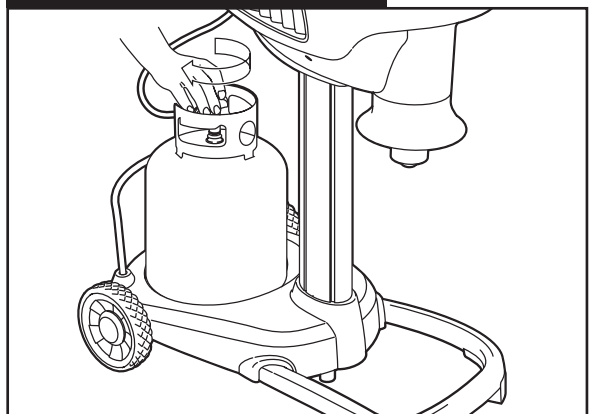
Step 1 - Propane Tank Placement



Step 2 - Attach Regulator



Step 3 - Slowly Open Valve



MOSQUITO MAGNET®

Set-Up

Octenol Attractant Installation

1. Locate Mosquito Magnet® Octenol Biting Insect Attractant. Remove mosquito attractant packet from bag. Carefully peel back foil cover
2. Locate the Octenol carrier compartment inside the plume tube. Turn cap counter-clockwise about 1/8 turn. Remove end cap.
3. Place the open packet of mosquito attractant into the carrier compartment.
4. Replace end cap on carrier compartment. Be sure to align cap's "feet" with grooves inside carrier compartment. Secure cap by turning clockwise until it clicks (about 1/8 turn).

Precautionary Statements

Hazards to Humans and Domestic Animals.

Caution: Harmful if swallowed. Avoid contact of skin, eyes or mouth with the evaporation holes. Wash hands before eating, drinking, chewing gum, using tobacco or using bathroom facilities.

First Aid

If swallowed

- Call poison control center or doctor immediately for treatment advice.
- Have person sip a glass of water if able to swallow.
- Do not induce vomiting unless told to do so by the poison control center or doctor.
- Do not give anything by mouth to an unconscious person.

If on skin or clothing

- Take off contaminated clothing.
- Rinse skin immediately with plenty of water for 15-20 minutes.
- Call a poison control center or doctor for treatment advice.

If in eyes

- Hold eye open and rinse slowly and gently with water for 15-20 minutes.
- Remove contact lenses, if present, after the first 5 minutes, then continue rinsing eye.
- Call a poison control center or doctor for treatment advice.

If inhaled

- Move person to fresh air.
- If person is not breathing, call 911 or an ambulance, then give artificial respiration, preferably by mouth-to-mouth, if possible.
- Call a poison control center or doctor for treatment advice.

Have the product container or label with you when calling a poison control center or doctor, or going for treatment.

Environmental Hazards: Do not apply directly to water. Do not contaminate water when disposing of equipment washwaters or rinsate.

Directions for Use

It is a violation of federal law to use this product in a manner inconsistent with its labeling.

Replace cartridge every 21 days* (Note: After 21 days of use, cartridge appears the same; however, it will no longer be effective as the Octenol will have been released.)

*Based on release rate studies conducted at a constant ambient air temperature of 80° F for 21 days. Octenol release from this product will be more rapid at higher ambient air temperature.

Storage & Disposal

Do not contaminate water, food or feed by storage or disposal.

Storage: Store unopened attractant cartridge in a cool, dry place. Discard outer plastic bag in trash.

Disposal: Do not reuse attractant cartridge. Dispose of used attractant cartridge in the trash.

Step 1



Step 2



Step 3



Step 4



MOSQUITO MAGNET®

Instructions

****READ MANUAL BEFORE STARTING****

Starting Instructions

It is recommended that you read the entire manual before starting the Mosquito Magnet® trap.

1. Insert Octenol or Lurex3 cartridge in compartment per instructions in cartridge packaging.
2. Install 4 “C” Batteries into the rear compartment..
3. Connect regulator to propane tank.
4. Slowly turn propane tank valve on.
5. Push “ON/OFF” switch to ON position. LED light will turn solid orange indicating warm-up. After 15-25 minutes, trap LED light will turn solid green indicating the trap is running at full capacity.

Shut Down Instructions

To turn off the trap, press the ON/OFF button. RUN will show on the display. COOL and the indicator arrows will flash on the display. The LED will be green. After a two minute cool down, the fan will stop, the LED will turn off and OFF will show on the display.

When Not In Use

If the unit is not in use, the gas must be turned off at the supply cylinder. Storage of this unit indoors is permissible only if the cylinder is disconnected and removed. Cylinders must be stored outdoors, out of reach of children and must not be stored in a building, garage or any other enclosed area.

End of Season Storage

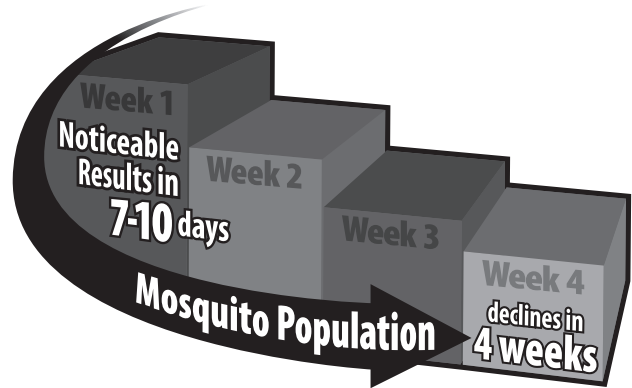
Push ON/OFF switch to OFF position to shut down the trap. The LED light will go out and the fan will continue running until trap is cool. Close the propane tank valve and disconnect regulator.

Any open Mosquito Magnet® attractant should be removed and discarded. See attractant label for disposal instructions. The bug bag should also be discarded prior to storing the trap.

STORAGE: The trap should be stored indoors in a garage or shed in the off-season. Cover trumpet to prohibit insects from nesting. Cover unit with a tarp and secure tightly at the bottom to keep out dust, spider webs and other debris.

For Best Results (unit must run for 24 hours/day)

- Your trap will begin capturing immediately with significant reduction in the mosquito population in 7-10 days. Allow 4 weeks to significantly reduce the mosquito population in your yard.



- Allow trap to cool for 5 minutes before re-start.
- Never spray insecticide in or around trap.
- Trap can be left running in the rain.
- If using lime or fertilizer compounds, be sure to shut down the trap first to prevent dust or fine mist from being drawn into trap and clogging bug bag.

Warning: Improper installation, adjustment, alteration, service or maintenance can cause injury or property damage. Read the installation, operating and maintenance instructions thoroughly before installing or servicing this equipment.

Caution: The gas pressure regulator provided with this appliance must be used. This regulator is set for an outlet pressure 11.0 in. water column.

The gas supply must be turned off at the LP-Gas supply cylinder when this appliance is not in use.

Leader in 360° Customer Support

- Customer Care Hotline: 1-800-953-5737
- Online Product Registration Available
- Visit www.mosquitomagnet.com for Troubleshooting Tips/Trap Placement
- Certified Service Locations – Information Available at www.mosquitomagnet.com



MOSQUITO MAGNET®

Maintenance

Maintenance

• ***21 Day Maintenance Cycle***

- Refill propane. (Propane lasts approximately 21 days with 24-hour/7-days operation.)
 - Replace short-range attractant cartridge.
See Mosquito Magnet® attractant label for instructions.
 - Empty or replace bug bag.
- Periodically wipe down the outside of the trap with a clean damp cloth.

Propane Tank Changing Time

When attaching the regulator knob to a tank after a tank change, be sure to fully tighten the regulator knob onto the tank. No need to use tools, but do turn the knob as far as possible by hand. When this is done, loosen the knob 1/4 turn, then re-tighten to maximize seal.

The purpose for this is to fully engage the regulator onto the tank. If the regulator is not fully engaged, the flow of gas may be restricted to the point where the trap will show a gas empty code. If this occurs, press the off button, close the tank valve, and remove the regulator from the tank. Re-attach the regulator and try again.



MOSQUITO MAGNET®

Troubleshooting

Problem	Possible Cause	Solutions
<p>Unit won't start</p> <p>RED LED light flashing at 7 second intervals</p>	<ol style="list-style-type: none"> 1. Propane tank may be empty. 2. If propane tank is new and has been newly filled it must be purged. 3. There could be a loose connection. 4. Bug bag may be full or clogged. 	<ol style="list-style-type: none"> 1. Weigh tank and check against "empty" weight. Written on tank. 2. Bring tank to filling location. Air may be in fuel line. Ask for tank to be purged. <i>Hint: If you have another propane powered device operating on a standard, 20 lb propane tank, try hooking that tank up to the trap to verify that the issue is with your tank.</i> 3. Verify all connections. Make sure propane tank valve is fully open. 4. Replace the bug bag.
<p>Unit won't stay running</p>	<ol style="list-style-type: none"> 1. 'Possible Causes' 1 & 3 above may apply. 2. Regulator is not fully engaged. 	<ol style="list-style-type: none"> 1. Go through above steps 1 & 3. 2. See Tank Changing Tips on page 8.
<p>Low or No Catch</p>	<ol style="list-style-type: none"> 1. Insects may not be out yet. 2. Trap placement issue. 3. Biting insect reproductive cycles have not yet been broken. 4. Counterflow may be disrupted. 	<ol style="list-style-type: none"> 1. Verify temperature is consistently over 50°F (10°C). 2. Follow steps in the "Trap Placement" section of your owner's manual. 3. Keep trap in constant operation 24 hours/day, 7 days per week for at least 4 weeks to reduce the mosquito population. 4. Air flow may be restricted. Contact your Local Service Provider.
<p>LED Flashing alt RED/GREEN at 7 second intervals</p>	<ol style="list-style-type: none"> 1. High Temperature. 	<ol style="list-style-type: none"> 1. Turn off trap and allow to cool for 1/2 hour. Then restart.
<p>LED Flashing alt RED/ORANGE at 7 second intervals</p>	<ol style="list-style-type: none"> 1. Battery Voltage Low. 	<ol style="list-style-type: none"> 1. Make sure the 4 "C" batteries are properly installed and fresh. 2. Ensure the battery cage connector is properly installed. 3. After several repeated unsuccessful attempts, replace with 4 new "C" batteries.
<p>Double flashing RED LED at 7 second intervals</p>	<ol style="list-style-type: none"> 1. Thermister Fault. 	<ol style="list-style-type: none"> 1. Contact your Local Service Provider or call Consumer Care at: 1-800-953-5737.
<p>LED light solid RED</p>	<ol style="list-style-type: none"> 1. Electrical Fault. 	<ol style="list-style-type: none"> 1. Contact your Local Service Provider or call Consumer Care at: 1-800-953-5737.

