



MOSQUITO MAGNET®

Advanced Mosquito Defense Systems



Leader in 360° Customer Support

- Customer Care Hotline: 1-800-953-5737
- Online Assistance Available
- Certified Service Locations

Find out more at www.mosquitomagnet.com



Customer Care
Hotline
1-800-953-5737

Commander

For Outdoor Use Only
1440-680

Operation Manual



Welcome

Congratulations on your purchase of Mosquito Magnet®. Now you can begin to enjoy your outdoor living space again.

Mosquito Magnet is the #1 mosquito trap in North America. Backed by 18 years of research and independent testing, Mosquito Magnet is scientifically proven to effectively reduce mosquitoes & other biting insects from your yard.

Mosquito Magnet is easy to use. The enclosed CD-ROM provides key information for getting started. In this manual, you'll learn everything you need to know about how it works, optimal trap placement, maintenance, storage and warranty information. The keys to success are trap placement, utilization of the correct attractant for your area and routine maintenance. For optimal catch rate, you'll need to change the propane tank and attractant every 21 days and use the Quick Clear Cartridge every tank change.

Our Customer Care line is available to answer all your questions regarding your new purchase. Please feel free to contact us...

Customer Care: 1-800-953-5737

Visit us online at www.mosquitomagnet.com for additional information regarding Mosquito Magnet, tips, testimonials, and additional product offerings.

Woodstream® Corporation
69 North Locust Street
Lititz, PA 17543
1-800-953-5737
www.mosquitomagnet.com

Patents:

USA: Nos. 5,813,166; 6,145,243; 6,286,249; 6,817,140;
6,840,005; 6,848,466; 6,892,492; 7,074,830; 7,243,458;
7,281,351; 7,293,387; 7,536,824; 7,614,180; 7,752,803;
7,987,631 and 8,006,432
Other patents pending

Made in the USA

FOR YOUR SAFETY

If you smell gas:

1. Shut off the gas to the appliance.
2. Extinguish any open flame.
3. Open lid.
4. If odor continues, immediately call your gas supplier or your fire department.

FOR YOUR SAFETY

1. Do not store or use gasoline or other flammable vapors and liquids in the vicinity of this or any other appliance.
2. An LP cylinder not connected for use shall not be stored in the vicinity of this or any other appliance.



Contents

Safety Instructions	3
Principal Parts	4
Assembly Instructions	5
Trap Assembly	
Bug Bag Installation	
Set-Up	6-9
Charging Instructions	
Trap Placement	
Propane Tank Installation	
Using the Correct Attractant	
Octenol Attractant Installation	
Instructions	10
Starting Instructions	
Shut Down Instructions	
When Not In Use	
End of Season Storage	
For Optimal Results	
Smart Technology	11
Setting Fuel-Saving Modes	
Fuel-Saving Modes	
Cold Temperature Shutdown	
Low Battery Warning	
Child Safety Lock	
Maintenance	12
Maintenance	
Propane Tank Changing Tips	
Maintenance Schedule	
Quick Clear Valve	13
Troubleshooting	14
LED Fault Codes	
Warranty	15
Product Registration	16

Questions or Comments

Please contact Woodstream® Corporation if you have any questions or experience any problems with your Mosquito Magnet®:

1-800-953-5737

Woodstream® Corporation
69 North Locust Street, Lititz, PA 17543
www.mosquitomagnet.com

Model No.:	Commander
Serial No.:	
Type of Gas:	Propane
Manifold Pressure:	100 – 110 psi
Minimum Gas Supply Pressure:	11.0 in. WC
Input Rating:	759 Btu/Hr.
Minimum Clearances:	20 – 24"



How the Mosquito Magnet® Works

Mosquitoes and other biting insects use the long-range attractant carbon dioxide (CO₂) to locate people. Once in close proximity, mosquitoes use short-range attractants such as scents emitted from the skin, to determine which person they are going to bite. The Mosquito Magnet mimics a human by converting propane to CO₂, with its patented catalytic conversion technology, in combination with a short-range attractant.

Attracted by the CO₂ and short-range attractant, mosquitoes and other biting insects are drawn to the Mosquito Magnet. When they reach the trap, the insects are vacuumed into a bug bag by our patented Counterflow Technology™, where they dehydrate and die within 24 hours.

The Mosquito Magnet is silent and odorless. When properly placed in your yard, **the trap begins working immediately. Noticeable results can be achieved in 7 to 10 days.** To greatly reduce your biting insect population, allow 4 weeks. Leave the Mosquito Magnet out all summer long, to control the mosquito population in your yard.

Only biting insects are targeted including mosquitoes, no-see-ums, black flies and midges. Beneficial insects such as butterflies, bees or moths are not targeted.



MOSQUITO MAGNET®

Safety Instructions

Please read and follow all safety instructions and warnings.

Children and adults should be alerted to the hazards of high surface temperatures and should stay away to avoid burns or clothing ignition.

Young children should be carefully supervised when they are in the area of the heater. Keep out of reach of children.

Clothing or other flammable materials should not be hung from the heater, or placed on or near the heater.

Note: Some or all of the following required safety instructions for propane powered devices may apply to your trap. Allow trap to cool for 5 minutes before re-starting.

Warning: Improper installation, adjustment, alteration, service or maintenance can cause injury or property damage. Read the installation, operating and maintenance instructions thoroughly before installing or servicing the trap.

Caution: The gas pressure regulator provided with this appliance must be used. This regulator is set for an outlet pressure of 11.0 in. Water Column. The minimum inlet gas supply pressure is 11.0 in. Water Column from regulator.

- This unit is not intended to be installed in or on recreational vehicles and/or boats.
- The gas supply must be turned off at the LP-Gas supply cylinder when this appliance is not in use.
- The installation must conform with local codes or, in the absence of local codes, with the National Fuel Gas Code, ANSI Z223. 1-1998 for US and with the CAN1-B149 for Canada.
- To test for a gas leak, place soapy water around the connector, regulator, and gas hose assembly. If bubbles appear, there is a gas leak.
- Inspect the hose before each use of the unit. If it is evident there is excessive abrasion or wear, or the hose is cut, it must be replaced prior to the unit being put into operation. The replacement hose shall be that specified by the manufacturer.
- The trap is equipped with an internal spark. Failure to follow starting procedure will result in the trap not starting.
- Installation and repair should be done by a qualified service person (find service centers on www.mosquitomagnet.com). The heater should be inspected before use and at least annually by a qualified service person. More frequent cleaning may be required as necessary. It is imperative that the control compartment, burners, and circulating air passageways of the heater be kept clean.
- Maintain adequate clearances of 20"–24" around air openings into the combustion chamber, clearances from combustible material, provisions for accessibility and for combustion and ventilating air supply. Keep the trap area clear and free from combustible materials, gasoline, and other flammable vapors and liquids. The appliance is not to be used in locations where flammable vapor or explosive dust is likely to exist.
- Do not obstruct the flow of combustion and ventilation air.
- Keep the ventilating openings of the cylinder enclosure free and clear from debris.
- Clean the trap with a water damp cloth, if necessary.
- A maximum of a 20 lb. LP-Gas cylinder shall be used.
- The LP-Gas cylinder must be provided with a shut-off valve terminating in an LP-Gas supply cylinder valve outlet specified for Connection No. 510 in the Standard for Compressed Gas Cylinder Valve Outlet and Inlet Connections, ANSI/CGA-V-1-1977.
- The LP-Gas cylinder supply system must be arranged for vapor withdrawal and the cylinder must include a collar to protect the cylinder valve.
- The LP-Gas cylinder used shall be constructed and marked in accordance with the specifications for LP-Gas cylinders of the U.S. Department of Transportation (DOT) or The National Standard of Canada CAN/CSA-B339.
- The trap shall be used outdoors only in a well ventilated space and shall not be used in a building, garage, or any other enclosed area.
- The LP-Gas cylinder must be disconnected and removed from the appliance, if the appliance is stored indoors.
- LP-Gas cylinders must be stored outdoors in a well-ventilated area out of reach of children.
- Disconnected cylinders must have threaded valve plugs tightly installed and must not be stored in a building, garage, or any other enclosed area.
- The pressure regulator and hose assembly supplied with this appliance must be used for connection to the LP-Gas cylinder. Replacement pressure regulators and hose assemblies must be specified by the manufacturer.
- Avoid improper use of extension cords. Keep connections away from moisture and avoid damage to the cord.
- If the supply cord is damaged, it must be replaced by the manufacturer or its service agent or a similarly qualified person in order to avoid hazard.

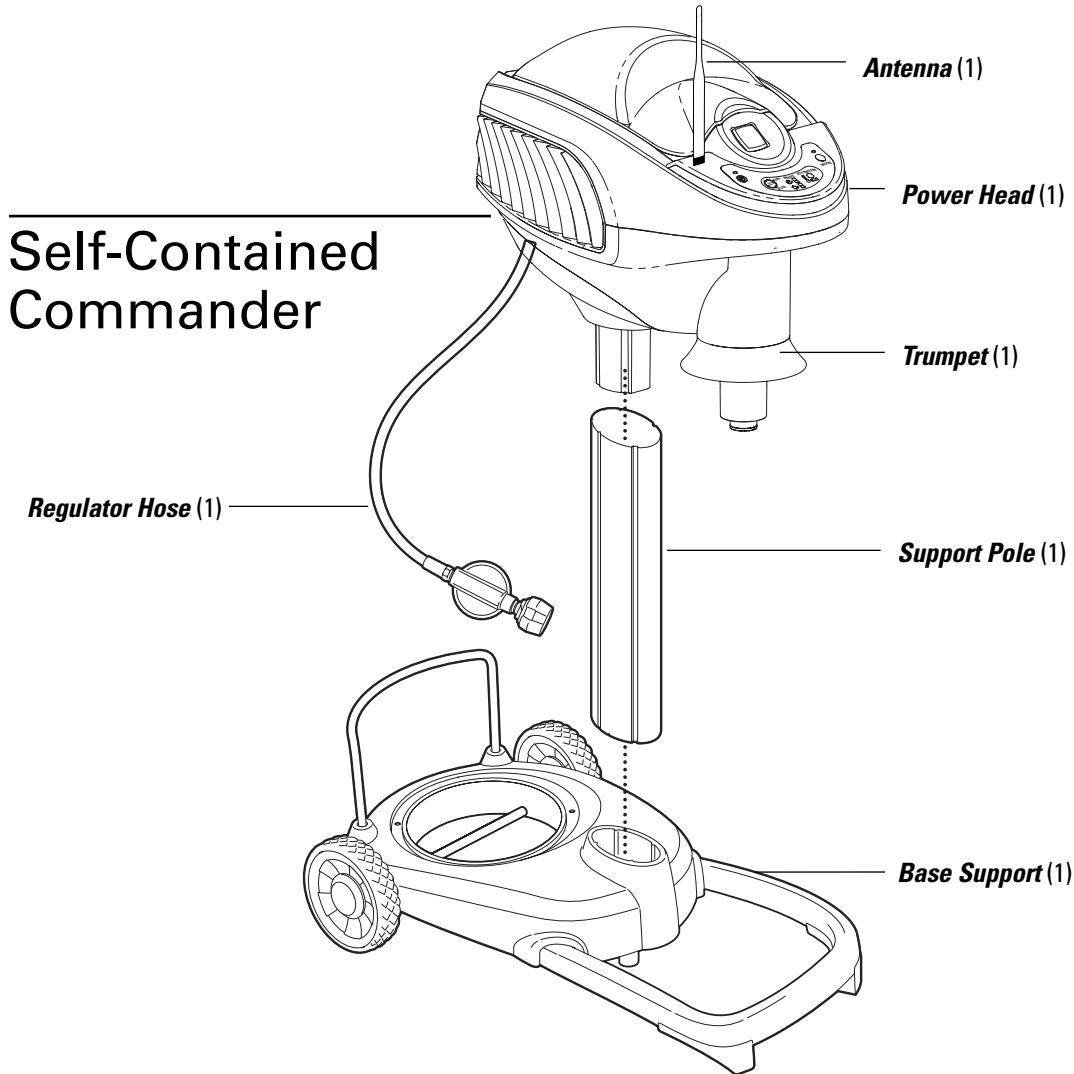
Please contact Customer Care
if you have any questions at:

1-800-953-5737

or visit www.mosquitomagnet.com



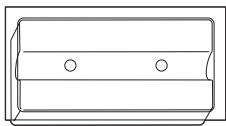
Principal Parts



Parts Included

**Mosquito Magnet® R-Octenol Biting
Insect Attractant**

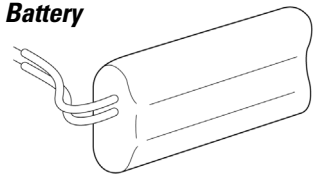
EPA Reg. No. 72563-5 (Short-Range Attractant)



Quick Clear Adapter



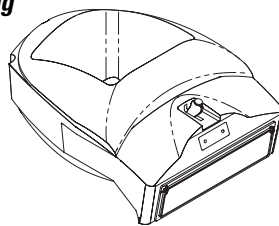
Rechargeable Battery



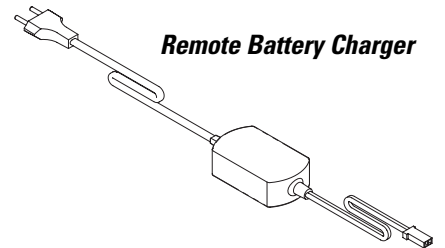
Antenna



Bug Bag



Remote Battery Charger

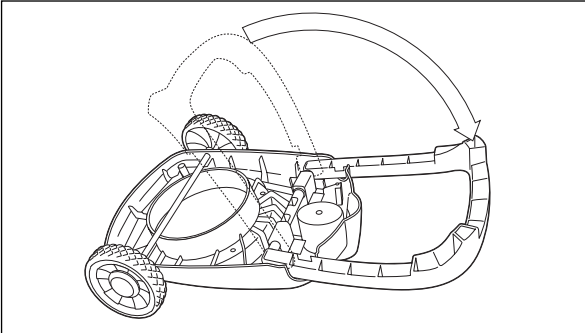


MOSQUITO MAGNET®

Assembly Instructions

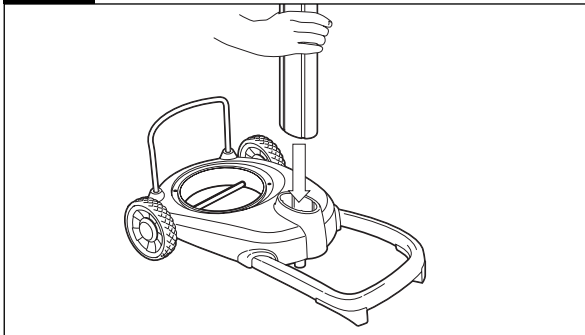
Trap Assembly:

Step 1



Place base upside down on a flat surface, unfold U-shaped support leg until it locks in place.

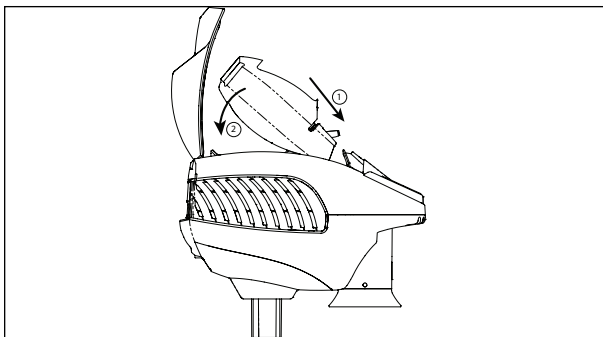
Step 2



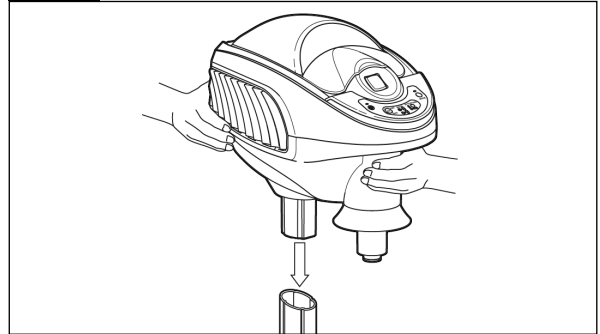
Turn base and leg assembly right-side-up and place support pole into cavity on base.

Bug Bag Installation:

To insert Bug Bag, first engage front/open section then gently push the back end down into place.



Step 3



Place trap power head onto pole. Press down firmly with two hands to secure.

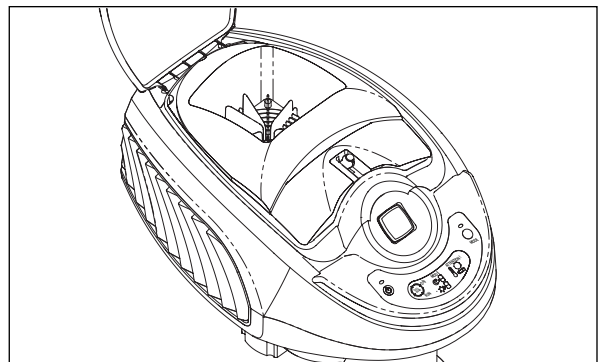
Assembled trap should have the front of power head/trumpet placed farthest from the wheels in the same direction as base U-shaped legs.

Step 4

The battery is not fully charged at the factory; charge the battery before the first use. Under proper usage, one charge lasts all season. See page 6 for further details.

Step 5

Screw antenna onto the face of trap and twist to the right until tightly secured.



Set-Up

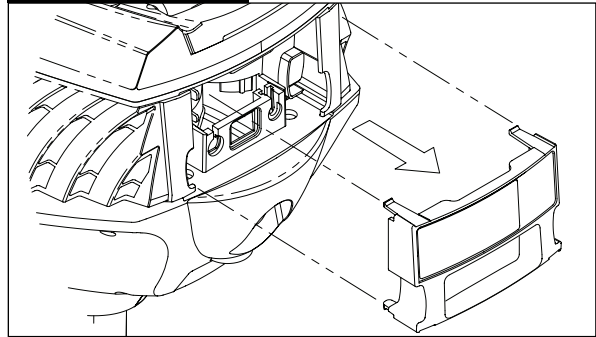
Charging Instructions

1. Remove cover panel from rear of Power Head Unit (panel snaps off). Press the battery latch & pull out of the trap to disconnect. Remove the battery by pulling up on the bottom and rotating the battery out of position.
2. The Battery Charger is not rated for Outdoor use. The battery must be charged indoors.
3. Plug the Battery Charger into a suitable indoor outlet.
4. Connect the re-chargeable battery to the battery charger.
5. The LED on the Battery Charger will indicate Red when the battery is charging, when the battery is fully charged the LED will indicate Green. The typical charge time is less than two hours.
6. The battery charger is automatic, it will shut down to a safe maintenance charge current when the battery is fully charged. It will not over charge the battery. For maximum life, do not leave the battery on the charger for extended periods.
7. When the battery is fully charged, disconnect the battery from the battery charger and return it in the Mosquito Magnet® Commander.
8. Insert and connect the re-chargeable battery.
9. Replace the cover panel on the rear of Power Head Unit.

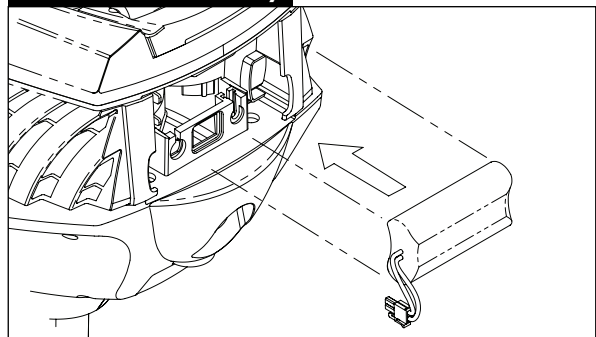
Trap Placement

1. Determine the direction of the prevailing wind. Check local weather patterns if you are unsure.
2. Stand in the center of the area you are trying to protect and look toward the prevailing wind.
3. Proper placement of the trap will be 30 – 40 feet in front of you, within 5-6 feet of ground cover (i.e. bushes, flowerbeds, tree line, marshbed). Ensure that trap is not directly against any blockades such as buildings, fences, etc.
4. It is recommended that the trap be placed in the shade.
5. Do not place trap directly above a water source (sprinklers, hose, etc.).
6. Trap must be placed on level ground to avoid tipping or uneven propane distribution.
7. For optimal trap placement in your yard, refer to the instructional CD-ROM included with your trap; or, go to www.mosquitomagnet.com to build your own yard diagram for correct trap placement.

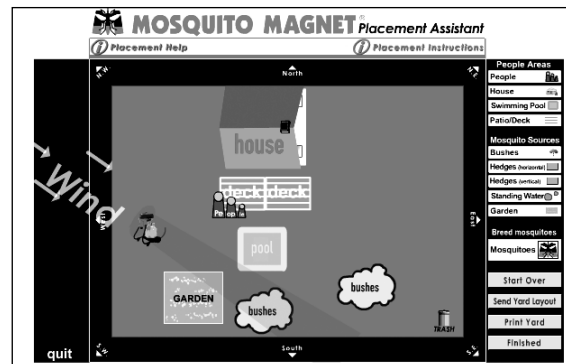
Remove Back Panel



Insert & Connect Battery



NOTE: Make sure cover panel is replaced; trap is not weatherproof with cover panel removed.



MOSQUITO MAGNET®

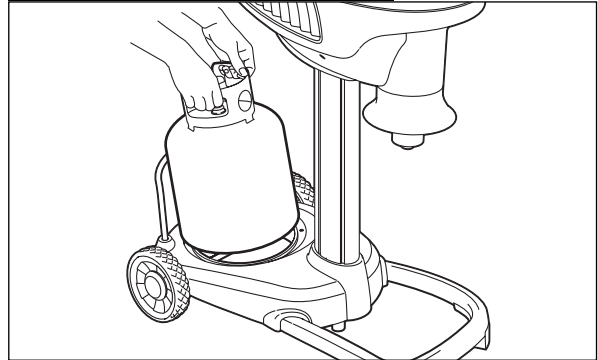
Set-Up

Propane Tank Installation

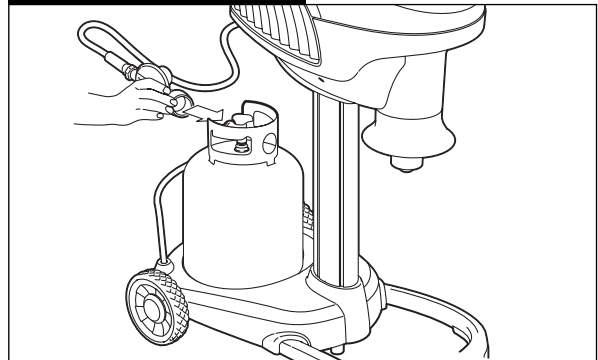
1. After trap is placed in its ideal location, place propane tank onto the molded cradle.
2. Making sure propane tank is fully closed, attach propane regulator hose to propane tank. Secure tightly by hand. **Do not use tools.**
3. Turn propane on by *slowly* turning valve counter-clockwise. Take care not to turn too quickly to avoid engagement of safety valve.

⚠ DO NOT MOVE TRAP WITH TANK ATTACHED!
TANK MUST BE DISCONNECTED FROM REGULATOR BEFORE TRAP IS RELOCATED TO AVOID DAMAGE TO REGULATOR AND/OR TRAP. BE ADVISED, DAMAGE CAUSED FROM FAILURE TO COMPLY WITH THIS INSTRUCTION IS NOT COVERED UNDER WARRANTY.

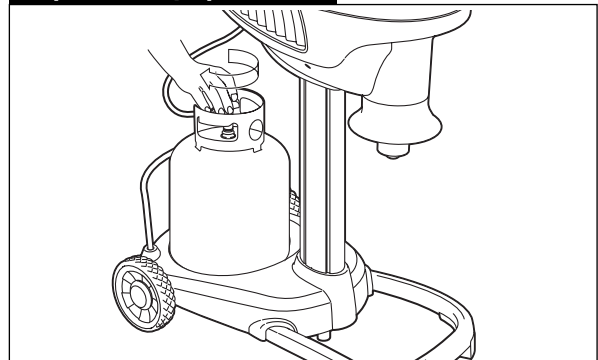
Step 1 – Propane Tank Placement



Step 2 – Attach Regulator



Step 3 – Slowly Open Valve



Set-Up

USING THE CORRECT ATTRACTANT OPTIMIZES THE CATCH RATE OF YOUR TRAP.

Mosquito Magnet® Octenol

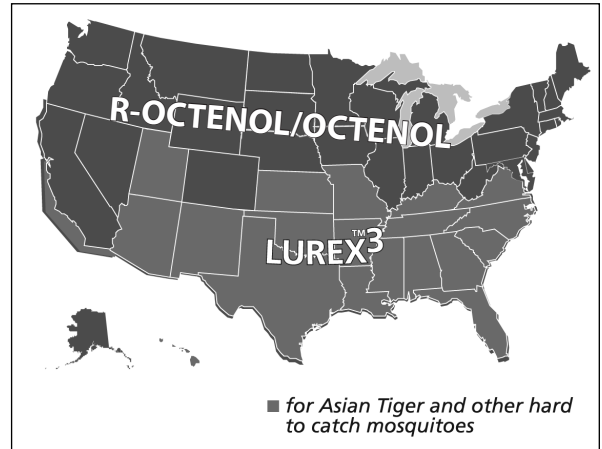
- If you live in the northern half of the U.S., or along any coastal areas in the U.S., use a fresh Mosquito Magnet Octenol cartridge every time you change the propane tank.

Mosquito Magnet® R-Octenol

- Much like Octenol, it's used to catch/attract biting insects.
- Active ingredients in R-Octenol lasts for 30 days - 40% longer than regular Octenol.
- Increases your catch rate up to 10 times.
- Ideal for trap owners with Mosquito Magnet® Executive or Commander.

Lurex³

- If you live in the southern half of the U.S., the Asian Tiger mosquito *may* be the predominant species in your area.
- Lurex³ is an attractant specially designed to capture hard to catch and aggressive, day-biting species such as the Asian Tiger mosquito.
- To find out if Lurex³ is right for you, go to www.mosquitomagnet.com.
- Use a fresh Lurex³ cartridge every time you change the propane tank.



MOSQUITO MAGNET®

Set-Up

R-Octenol Attractant Installation

1. Locate Mosquito Magnet® Octenol Biting Insect Attractant. Remove mosquito attractant packet from bag. Carefully peel back foil cover.
2. Locate the octenol carrier compartment inside the plume tube. Turn cap counter-clockwise about 1/8 turn. Remove end cap.
3. Place the open packet of mosquito attractant into the carrier compartment.
4. Replace end cap on carrier compartment. Be sure to align cap's "feet" with grooves inside carrier compartment. Secure cap by turning clockwise until it clicks (about 1/8 turn).

Precautionary Statements

Hazards to Humans and Domestic Animals.

Caution: Harmful if swallowed. Avoid contact of skin, eyes or mouth with the evaporation holes. Wash hands before eating, drinking, chewing gum, using tobacco or using bathroom facilities.

First Aid

If swallowed

- Call poison control center or doctor immediately for treatment advice.
- Have person sip a glass of water if able to swallow.
- Do not induce vomiting unless told to do so by the poison control center or doctor.
- Do not give anything by mouth to an unconscious person.

If on skin or clothing

- Take off contaminated clothing.
- Rinse skin immediately with plenty of water for 15-20 minutes.
- Call a poison control center or doctor for treatment advice.

If in eyes

- Hold eye open and rinse slowly and gently with water for 15-20 minutes.
- Remove contact lenses, if present, after the first 5 minutes, then continue rinsing eye.
- Call a poison control center or doctor for treatment advice.

If inhaled

- Move person to fresh air.
- If person is not breathing, call 911 or an ambulance, then give artificial respiration, preferably by mouth-to-mouth, if possible.
- Call a poison control center or doctor for treatment advice.

Have the product container or label with you when calling a poison control center or doctor, or going for treatment.

Environmental Hazards: Do not apply directly to water. Do not contaminate water when disposing of equipment washwaters or rinsate.

Directions for Use

It is a violation of federal law to use this product in a manner inconsistent with its labeling.

Replace cartridge every 21 days* (Note: After 21 days of use, cartridge appears the same; however, it will no longer be effective as the octenol will have been released.)

*Based on release rate studies conducted at a constant ambient air temperature of 80° F for 21 days. Octenol release from this product will be more rapid at higher ambient air temperature.

Storage & Disposal

Do not contaminate water, food or feed by storage or disposal.

Storage: Store unopened attractant cartridge in a cool, dry place. Discard outer plastic bag in trash.

Disposal: Do not reuse attractant cartridge. Dispose of used attractant cartridge in the trash.

Step 1



Step 2



Step 3



Step 4



Instructions

****READ MANUAL BEFORE STARTING****

**Charge your battery per instructions on page 6.
Under proper usage, battery will last all season.**

Starting Instructions

It is recommended that you read the entire manual before starting the Mosquito Magnet® trap.

1. To start the trap, press and hold the ON/OFF button for three seconds until the orange LED illuminates.
2. RUN will show on the display. WARM and the indicator arrows will also flash on the display. The LED (indicator above ON/OFF button) will be orange.
3. The fan will ramp from low speed to high speed after approximately 3 minutes.
4. The display will flash WARM and the LED will be orange for approximately 15-25 minutes while the trap is warming up.
5. After the trap reaches operating temperature, the LED will be green and WARM will disappear from the display.

Shut Down Instructions

To turn off the trap, press the ON/OFF button. RUN will show on the display. COOL and the indicator arrows will flash on the display. The LED will be green. After a two minute cool down, the fan will stop, the LED will turn off and OFF will show on the display.

When Not In Use

If the unit is not in use, the gas must be turned off at the supply cylinder. Storage of this unit indoors is permissible only if the cylinder is disconnected and removed. Cylinders must be stored outdoors, out of reach of children and must not be stored in a building, garage or any other enclosed area.

End of Season Storage

Refer to the shut down instructions above prior to closing the propane tank valve and disconnecting the regulator. Close the propane tank valve and disconnect regulator. Also, disconnect the battery but make sure not to remove battery from trap.

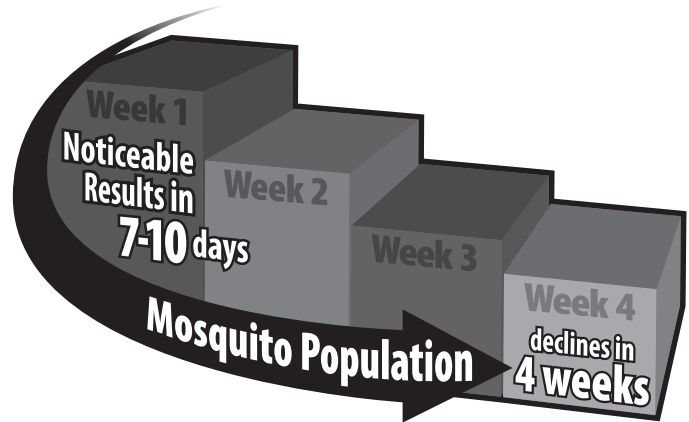
Any open Mosquito Magnet® attractant should be removed and discarded. See attractant label for disposal instructions. The bug bag should also be discarded prior to storing the trap.

STORAGE: The trap should be stored indoors in a garage or shed in the off-season. Remove antenna and cover trumpet to prohibit insects from nesting. Cover unit with trap cover available at www.mosquitomagnet.com or with a tarp and secure tightly at the bottom to keep out dust, spider webs and other debris.

NOTE: It is recommended that you use the Quick Clear adapter before seasonal storage to avoid build-up of contaminants during off-season (see page 13).

For Optimal Results Run 24 hours/day

- Your trap will begin capturing immediately with significant reduction in the mosquito population in 7-10 days. Allow 4 weeks to significantly reduce the mosquito population in your yard.



- Allow trap to cool for 5 minutes before re-start.
- Never spray insecticide in or around trap.
- Trap can be left running in the rain.
- If using lime or fertilizer compounds, be sure to shut down the trap first to prevent dust or fine mist from being drawn into trap and clogging bug bag.

Warning: Improper installation, adjustment, alteration, service or maintenance can cause injury or property damage. Read the installation, operating and maintenance instructions thoroughly before installing or servicing this equipment.

Caution: The gas pressure regulator provided with this appliance must be used. This regulator is set for an outlet pressure 11.0 in. water column.

The gas supply must be turned off at the LP-Gas supply cylinder when this appliance is not in use.

Leader in 360° Customer Support

- Customer Care Hotline: 1-800-953-5737
- Online Product Registration Available
- Visit www.mosquitomagnet.com for Troubleshooting Tips/Trap Placement
- Certified Service Locations – Information Available at www.mosquitomagnet.com



MOSQUITO MAGNET®

Smart Technology

Setting Gas Saver Modes

The trap has the option to run 24/7 or in one of 4 Gas Saver Modes which can extend the life of your propane tank. The propane tank will last 21 days by operating your trap 24/7, which is recommended for the optimal catch rate. Please see the chart below or in the Control Panel section of your Commander's user-interface to see the corresponding propane usage expended based on the mode of operation.

Options	Tank Life*	Shut Down Day Time	Shut Down Night Time
11-12	22 days	1 HR (11am-12pm)	1 HR (11pm-12am)
11-1	24 days	2 HRS (11am-1pm)	2 HRS (11pm-1am)
11-2	27 days	3 HRS (11am-2pm)	3 HRS (11pm-2am)
11-3	30 days	4 HRS (11am-3pm)	4 HRS (11pm-3am)

* Based on a 20lb. (9.07kg.) propane tank

The Gas Saving Mode options will stop the propane use during the time of day and time of night you chose. Research has shown mosquito activity is typically lowest during these time frames.

Note:

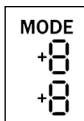
To set your trap to a Gas Saver Mode, you can go to the Control Panel section of your Commander's user-interface and select an option. In order for this mode to work, you must pick a timezone based on your location and identify whether or not you observe Daylight Savings Time. Obtaining this information is necessary to ensure your Commander knows the correct time of day.

Fuel-Saving Modes

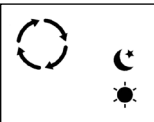
1. Press the MODE button to select the Gas Saver Mode Setting.



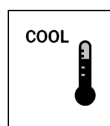
2. Every time the MODE button is pressed the Mode will cycle through 1, 2, 3, 4, Off, 1, etc.



3. Mode 1 will shut down the trap 1 hour during the middle of the day and 1 hour during the middle of the night. Modes 2, 3 and 4 correspond to 2, 3 and 4 hours of shut down time respectively.

4.  To indicate the trap is in Fuel-Saver Mode, the arrows will flash and the green LED light will be off. Additionally, the Sun element will flash during the day and the Moon element will flash during the night when the trap is in Fuel-Saving Mode. The fan will continue to operate in the trap, at a reduced speed, to prevent any escape of mosquitoes but will not capture any additional mosquitoes during this time frame.

5. If the trap is set in the fuel-saving mode, the battery must be disconnected and then reconnected every time the propane tank is refilled. The battery disconnect is required to reset the Fuel Saving timer.



Cold Temperature Shutdown

Low Temperature Mode:

The trap has a temperature sensor that will automatically start-up or power-down the trap by itself when the temperature reading is above or below a selected temperature. Using the Control Panel on the Commander's user-interface you have the option of selecting 45°, 40 or 35 to serve as your cold temperature shutdown. The recommended cold temperature shutdown is 50 degrees. Research has shown that there is very little mosquito activity during this time frame.

If the trap was running (word RUN is visible & Green LED light is on) & the temperature drops below the selected temperature (50, 45, 40 or 35 degrees) the trap will shut down. When the trap is in Cool Down Mode, the word COOL and the Thermometer icon will flash on the trap. An alert will be displayed on the Dashboard of your Commander user-interface to show when the trap is in Cool Down Mode. The trap will restart when the temperature sensor indicates the air temperature is 5 degrees above the selected temperature setting.

ATTENTION!



Low Battery Warning

The battery icon and attention will flash if the battery needs to be recharged.

Child Safety Lock

The ON/OFF button needs to be held for 3 full seconds to turn-on the trap.



Maintenance

Maintenance

If using one of our Fuel-Saving Modes, be sure to adjust the dates on the chart below (see chart on page 11 to coordinate the maintenance schedule with the mode of operation).

• 21 Day Maintenance Cycle - for Optimal Performance

- Refill propane. (Propane lasts approximately 21 days with 24-hour/7-days operation.)
- Replace short-range attractant cartridge.
See Mosquito Magnet® attractant label for instructions.
- Empty or replace bug bag.
- Utilize the Quick Clear adapter at every tank change.
- Periodically wipe down the outside of the trap with a clean, water damp cloth.
- Charge your battery for 24 hours at the beginning of the season.

Propane Tank Changing Tips

When attaching the regulator knob to a tank after a tank change, be sure to fully tighten the regulator knob onto the tank. No need to use tools, but do turn the knob as far as possible by hand. When this is done, loosen the knob 1/4 turn, then re-tighten to maximize seal.

The purpose for this is to fully engage the regulator onto the tank. If the regulator is not fully engaged, the flow of gas may be restricted to the point where the trap will show a gas empty code. If this occurs, press the off button, close the tank valve, and remove the regulator from the tank. Re-attach the regulator and try again.

Maintenance Schedule	<i>Note: Bug bags should be replaced when half full. You can find all your accessory needs at www.mosquitomagnet.com or at your Certified Mosquito Magnet Hardware or Home Improvement Store.</i>				
	Example	Season 1	Season 2	Season 3	Season 4
Purchase Date	4/1				
Register Warranty	4/1				
Start Up Date	4/1				
SERVICE:					
Seasonal Tune-Up		3/15			
MAINTENANCE:					
Propane, Attractant & Bug Bag Change	4/21				
Quick Change Cartridge	4/21				
Propane, Attractant & Bug Bag Change	5/11				
Quick Change Cartridge	5/11				
Propane, Attractant & Bug Bag Change	5/31				
Quick Change Cartridge	5/31				
Propane, Attractant & Bug Bag Change	6/20				
Quick Change Cartridge	6/20				
Propane, Attractant & Bug Bag Change	7/10				
Quick Change Cartridge	7/10				
SERVICE - WINTERIZATION					
Discard Bug Bag & Attractant					
Cover Trap Trumpet to avoid nesting insects					
Keep in garage or shed					



MOSQUITO MAGNET®

Easy Quick Clear Valve

⚠ **Important: Extinguish all smoking materials prior to use of Easy Quick Clear Valve. Do not stand directly behind the Quick Clear cartridge during operation.**

⚠ **Use of PROTECTIVE eyewear is recommended.**

⚠ **Important: Shut down your trap. Let fan run until it stops before using Quick Clear Cartridges (about 5 minutes).**

Quick Clear is recommended for regular maintenance to remove built-up contaminants.

Recommended for use at every tank change. Also recommended for use before seasonal storage to avoid build up of contaminants during the off-season. Instructions for "Easy Quick Clear Valve" maintenance procedure shall be provided on a label attached to trap where easily visible by user.

The Easy Quick Clear Valve is a threaded knob located on the back of your trap. It should be used with the adapter included with your trap, and a threaded Quick Clear cartridge available on our website at www.mosquitomagnet.com or at your local hardware or home improvement store.

1. **Important: Shut down your trap. Let fan run until it stops before using Quick Clear Cartridges (about 5 minutes).**
2. Close the propane tank valve by turning to the "OFF" position. (Turn the tank valve clockwise.)
3. Remove the protective cap from Easy Quick Clear valve located in the back of the trap.
4. Hand-screw the Quick Clear adapter on to Quick Clear valve, until finger tight.
5. Hand-screw the Quick Clear cartridge into the Quick Clear adapter clockwise until hand tight while holding the adapter in place. **Important:** Do not over-tighten.
6. While holding the adapter in place *slowly* unscrew Quick Clear cartridge up to *1/4 turn only* in counter clockwise direction from the Quick Clear adapter only. The strong flow of compressed air lasts approximately 45 seconds. Be sure to allow Quick Clear cartridge to run out completely. (Hissing will stop when cylinder is empty. Quick Clear cartridge will be cold to the touch.)
7. Unscrew the Quick Clear cartridge to remove. Discard empty Quick Clear cartridge after use, it is not reusable or refillable.
8. Unscrew the Quick Clear adapter to remove.
Use caution when removing Quick Clear adapter and cartridge, as some compressed air may come out at this time.
Remember to keep the Quick Clear adapter for future use.
9. Replace Easy Quick Clear Valve protective cap, and proceed with normal start up of your trap. If use of Easy Quick Clear valve feature does not resolve starting trouble, contact Customer Care **1-800-953-5737**.

Step 4



First hand-screw the Quick Clear adapter onto the valve.

Step 5



While holding the adapter in place, screw the Quick Clear cartridge into Quick Clear adapter.

Step 6



To start cleaning process, while holding Quick Clear Adapter in place, unscrew the Quick Clear cartridge **1/4 Turn Only**.





Step 7



Unscrew the Quick Clear cartridge first, then unscrew Quick Clear adapter and discard the spent Quick Clear cartridge. Remember to keep the Quick Clear adapter for future use.



Troubleshooting

Problem	Possible Cause	Solutions
<p>Unit won't start Unit won't stay running LCD  ATTENTION! LED-Red LED Flashing at 7 second intervals</p>	<ol style="list-style-type: none"> 1. Propane tank may be empty. 2. If propane tank is new and has been newly filled it must be purged. 3. There could be a loose connection. 4. Fuel line maybe blocked by propane contaminants. 5. Regulator is not fully engaged. 6. Bug bag may be full or clogged. 	<ol style="list-style-type: none"> 1. Weigh tank and check against "empty" weight 2. Bring tank to filling location. Air may be in fuel line. Ask for tank to be purged. 3. Verify all connections. Make sure propane tank valve is fully open. 4. Replace the bug bag.
<p>Unit won't stay Running LCD  ATTENTION! LED-Flashing Red/Orange at 7 seconds intervals</p>	<ol style="list-style-type: none"> 1. Low Battery Voltage 	<ol style="list-style-type: none"> 1. Charge the battery before the first use and at the beginning of each season. The Charger LED will be Green when the battery is fully charged. 2. Check battery connection, make sure it is fully inserted and locked. 3. If a fully charge battery indicates Low Battery Voltage during the cycle, recharge or replace the battery.
<p>Unit shut down LCD  ATTENTION! LED-Flashing Red/Green at 7 seconds intervals</p>	<ol style="list-style-type: none"> 1. High Temperature 	<ol style="list-style-type: none"> 1. Turn off trap and allow to cool for one hour, then restart. If the code continues call Customer Care at: 1-800-953-5737.
<p>Unit shut down LCD  ATTENTION! LED-Double Flashing Red LED at 7 seconds intervals</p>	<ol style="list-style-type: none"> 1. Thermister Fault 	<ol style="list-style-type: none"> 1. Contact Customer Care at: 1-800-953-5737.
<p>Unit shut down LED - Solid Red</p>	<ol style="list-style-type: none"> 1. Electrical Fault 	<ol style="list-style-type: none"> 1. Contact Customer Care at: 1-800-953-5737.
<p>Low or No Catch</p>	<ol style="list-style-type: none"> 1. Insects may not be out yet. 2. Trap placement issue. 3. Biting insect reproductive cycles have not yet been broken. 4. Counterflow may be disrupted. 	<ol style="list-style-type: none"> 1. Verify temperature is consistently over 50°F (10°C). 2. Follow steps in the "Trap Placement" section of your owner's manual or refer to your instructional CD-ROM included with your trap. 3. Keep trap in constant operation 24 hours/day, 7 days per week for at least 4 weeks to reduce the mosquito population. 4. Air flow may be restricted. Contact your Local Service Provider.

Customer Care ***Please have your serial number, date of purchase & model type available***

All of us at Woodstream® Corporation want you to get complete satisfaction from your trap. Should you have any problems you cannot resolve, simply call one of our trained Customer Care Representatives at **1-800-953-5737** or visit **www.mosquitomagnet.com**.

We will help you get up and running.



MOSQUITO MAGNET®



MOSQUITO MAGNET®

Manual de operación



MOSQUITO MAGNET®

Bienvenido

Felicitaciones por la compra de su equipo Mosquito Magnet®. Ahora puede empezar a gozar nuevamente del espacio al aire libre.

Mosquito Magnet es la primera trampa para mosquitos en Norteamérica. Con el apoyo de 18 años de investigación y pruebas independiente, la trampa Mosquito Magnet está científicamente probada para reducir los mosquitos y otros insectos que pican en su patio o jardín.

Mosquito Magnet es fácil de usar. El CD-ROM que viene con el producto proporciona información clave para empezar a utilizarlo. En este manual, usted obtendrá la información que necesita para saber cómo funciona, la ubicación óptima de la trampa, mantenimiento, almacenamiento y garantía. Las claves del éxito son la ubicación de la trampa, la utilización del cebo atrayente correcto para su área y el mantenimiento de rutina. Para lograr la caza óptima de mosquitos, deberá cambiar el tanque de propano y el cebo atrayente cada 21 días y utilizar el cartucho Quick Clear cada vez que cambie el tanque.

Nuestra línea de Servicio de Atención al Cliente está disponible para responder sus preguntas referentes a su nueva compra. No dude en comunicarse con nosotros...

Servicio de Atención al Cliente: 1-800-953-5737

Visítenos en www.mosquitomagnet.com para obtener información adicional sobre Mosquito Magnet, consejos, testimonios y ofertas de productos adicionales.

Woodstream® Corporation
69 North Locust Street
Lititz, PA 17543
1-800-953-5737
www.mosquitomagnet.com

Patentes:

EE.UU.: No. 5,813,166; 6,145,243; 6,286,249; 6,817,140;
6,840,005; 6,848,466; 6,892,492; 7,074,830; 7,243,458;
7,281,351; 7,293,387; 7,536,824; 7,614,180; 7,752,803;
7,987,631 y 8,006,432

Otras patentes pendientes

Hecho en EE.UU.

PARA SU SEGURIDAD

Si siente olor a gas:

1. Cierre la entrada de gas al aparato.
2. Apague cualquier llama expuesta.
3. Abra la tapa.
4. Si el olor continúa, llame inmediatamente a su proveedor de gas o a los bomberos.

PARA SU SEGURIDAD

1. No almacene ni utilice gasolina ni otros vapores y líquidos inflamables en las proximidades de éste o cualquier otro aparato.
2. Un tanque LP que no esté conectado no deberá almacenarse en las proximidades de este o cualquier otro aparato.



Indice

Instrucciones de seguridad	3e
Parte principales	4e
Instrucciones de ensamblaje	5e
Ensamblaje de la trampa	
Instalación de la bolsa para insectos	
Instalación	6e-9e
Instrucciones para cargar la batería	
Ubicación de la trampa	
Instalación del tanque de propano	
Utilización del cebo atrayente apropiado	
Instalación del cebo atrayente de octenol	
Instrucciones	10e
Instrucciones de inicio	
Instrucciones de apagado	
Cuando no está en uso	
Almacenamiento al final de la temporada	
Para obtener óptimos resultados	
Tecnología inteligente	11e
Cómo establecer los modos de ahorro de combustible	
Modos de ahorro de combustible	
Desactivación por temperatura fría	
Advertencia sobre batería baja	
Bloqueo de seguridad para los niños	
Mantenimiento	12e
Mantenimiento	
Consejos para cambiar el tanque de propano	
Cronograma de mantenimiento	
Válvula Easy Quick Clear	13e
Solución de problemas	14e
Códigos de fallos LED	
Garantía	15e
Registro del producto	16e

Preguntas o comentarios

Por favor, comuníquese con Woodstream® Corporation si tiene preguntas o problemas con el producto Mosquito Magnet®:
1-800-953-5737

Woodstream® Corporation
69 North Locust Street
Lititz, PA 17543
www.mosquitomagnet.com

Modelo No.:	Commander
No. de serie:	
Tipo de gas:	Propano
Presión del distribuidor:	100 – 110 psi
Presión mínima del suministro de gas:	28 cm de columna de agua
Capacidad nominal de entrada:	759 Btu/Hr.
Espacios libres mínimos:	De 51 a 61 cm



Cómo funciona Mosquito Magnet®

Los mosquitos y otros insectos que pican utilizan el dióxido de carbono (CO₂) atrayente de largo alcance para ubicar a las personas. Una vez cerca, los mosquitos utilizan atrayentes de corto alcance como los olores que emite la piel, con el fin de determinar la persona a la que van a picar. Mosquito Magnet imita al ser humano mediante la conversión de gas propano en CO₂, con su tecnología de conversión catalítica patentada, en combinación con un cebo atrayente de corto alcance.

Los mosquitos y otros insectos que pican, atraídos por el CO₂ y el cebo atrayente de corto alcance, se dirigen hacia la trampa Mosquito Magnet. Al llegar a la trampa, una bolsa para insectos los aspira utilizando la tecnología patentada Counterflow Technology™, en donde se deshidratan y mueren en 24 horas.

La unidad Mosquito Magnet es silenciosa e inodora. Si está ubicada en el lugar apropiado en su patio o jardín, **la trampa empieza a funcionar inmediatamente. Pueden lograrse resultados visibles entre 7 y 10 días.** Para reducir significativamente la población de insectos que pican, permita que pasen entre 4 semanas. Para controlar la población de mosquitos en su patio o jardín, deje funcionando la trampa Mosquito Magnet todo el verano.

La trampa sólo atrapa insectos que pican tales como mosquitos, zancudos, moscas negras y jejenes. La trampa no se dirige a insectos benéficos tales como mariposas, abejas o polillas.



MOSQUITO MAGNET®

Instrucciones de seguridad

Por favor, lea y siga las instrucciones y advertencias de seguridad.

Se debe alertar a los niños y adultos de los peligros de las temperaturas elevadas de las superficies y deberán mantenerse alejados para evitar quemaduras o que la ropa se incendie.

Los niños pequeños deberán estar bajo supervisión cuando estén alrededor del área del calentador. Manténgase el equipo fuera del alcance de los niños.

No debe colgar ropa ni materiales inflamables en el calentador, ni colocarlos encima o cerca del mismo.

Nota: Algunas o todas las siguientes instrucciones de seguridad para dispositivos activados con gas propano pueden aplicarse a su trampa. Deje que la trampa se enfríe durante 5 minutos antes de volver a encenderla.

⚠ Advertencia: La instalación, ajuste, alteración, servicio o mantenimiento inadecuados pueden causar lesiones personales o daños materiales. Lea atentamente las instrucciones de instalación, operación y mantenimiento antes de instalar o de dar mantenimiento a la trampa.

⚠ Precaución: Debe utilizar el regulador de presión de gas que viene con este artefacto. Este regulador está fijado para una presión de salida de 28 cm de columna de agua. La presión mínima del suministro de gas de entrada es para 28 cm de columna de agua del regulador.

- Esta unidad no está diseñada para instalarse en vehículos recreacionales ni en botes.
- Cuando este artefacto no esté en uso, debe apagar el suministro de gas en el tanque de suministro de gas propano.
- La instalación debe hacerse en conformidad con los códigos locales o, en ausencia de códigos locales, de acuerdo con el Código Nacional de Gas Combustible, ANSI Z223.1-1998 para EE.UU., y de acuerdo con CAN1-B149 para Canadá.
- Para determinar si hay fuga de gas, coloque agua jabonosa alrededor del ensamblaje del conector, regulador y manguera de gas. Si aparecen burbujas, significa que hay una fuga de gas.
- Revise la manguera antes de utilizar la unidad. Si es evidente que hay abrasión o desgaste excesivos, o si la manguera tiene un corte, debe cambiarse antes de hacer funcionar la unidad. La manguera de repuesto debe ser la que especifica el fabricante.
- La trampa está equipada con un mecanismo de chispa interno. El no seguir el procedimiento de arranque puede causar que la trampa no arranque.
- La instalación y la reparación deben hacerlas el personal de mantenimiento calificado (puede encontrar centros de mantenimiento en www.mosquitomagnet.com). Personal de mantenimiento calificado debe inspeccionar el calentador antes de usarlo por lo menos una vez al año. Puede requerirse limpieza con más frecuencia, si es necesario.

Es imperativo que se mantengan limpios el compartimiento de control, los quemadores y las vías de circulación de aire del calentador.

- Mantenga espacios libres adecuados de 51 a 61 cm alrededor de las aberturas de aires que van hacia la cámara de combustión; mantenga lejos los materiales combustibles; deje espacio libre para facilitar el acceso y para que haya suficiente aire para combustión y ventilación. Mantenga el área de la trampa libre de materiales combustibles, gasolina y otros vapores y líquidos inflamables. No debe utilizarse este artefacto en lugares donde probablemente exista vapor combustible o polvos explosivos.
- No obstruya el flujo de aire de combustión y ventilación.
- Mantenga libres y sin residuos as aberturas de ventilación del recinto del tanque.
- Limpie la trampa con un trapo húmedo, si es necesario.
- Debe utilizar un tanque de gas propano de un máximo de 20 lb (9 kg).
- El tanque de gas propano debe tener una válvula de cierre que termina en una salida de válvula de tanque de gas propano especificada para Conexión No. 510 conforme al estándar de EE.UU. "Standard for Compressed Gas Cylinder Valve Outlet and Inlet Connections" (Estándar para Conexiones de Salida y Entrada de Válvula de Tanque de Gas Comprimido), ANSI/CGA-V-1-1977.
- El sistema de suministro del tanque de gas propano debe estar diseñado para la extracción de vapor y el tanque debe venir con un cuello para proteger la válvula del tanque.
- El tanque de gas propano que se use debe estar construido y marcado de acuerdo con las especificaciones de tanques de gas del Departamento de Transporte de los EE.UU. o el Estándar Nacional de Canadá CAN/CSA-B339.
- La trampa debe utilizarse en exteriores solamente, en un área con buena ventilación y no debe utilizarse en un edificio, garaje ni en ningún otro lugar cerrado.
- Si se almacena el artefacto en interiores, debe desconectar el tanque de gas propano y retirarlo del artefacto.
- Los tanques de gas propano deben almacenarse en exteriores en un área con buena ventilación y fuera del alcance de los niños.
- Los tanques desconectados deben tener tapones de válvula roscados instalados y no deben almacenarse en un edificio, garaje ni en áreas cerradas.
- Debe utilizarse el regulador de presión y el ensamblaje de manguera suministrados con este artefacto para la conexión del tanque de gas propano. Los reguladores de presión y el ensamblaje de manguera de reemplazo deben ser los que especifica el fabricante.
- Evite el uso inapropiado de cordones de extensión. Mantenga las conexiones alejadas de humedad y evite el daño del cordón.
- Si se daña del cordón de suministro, debe ser reemplazado por el fabricante o su agente de servicio o por una persona calificada similar con el fin de evitar peligros.

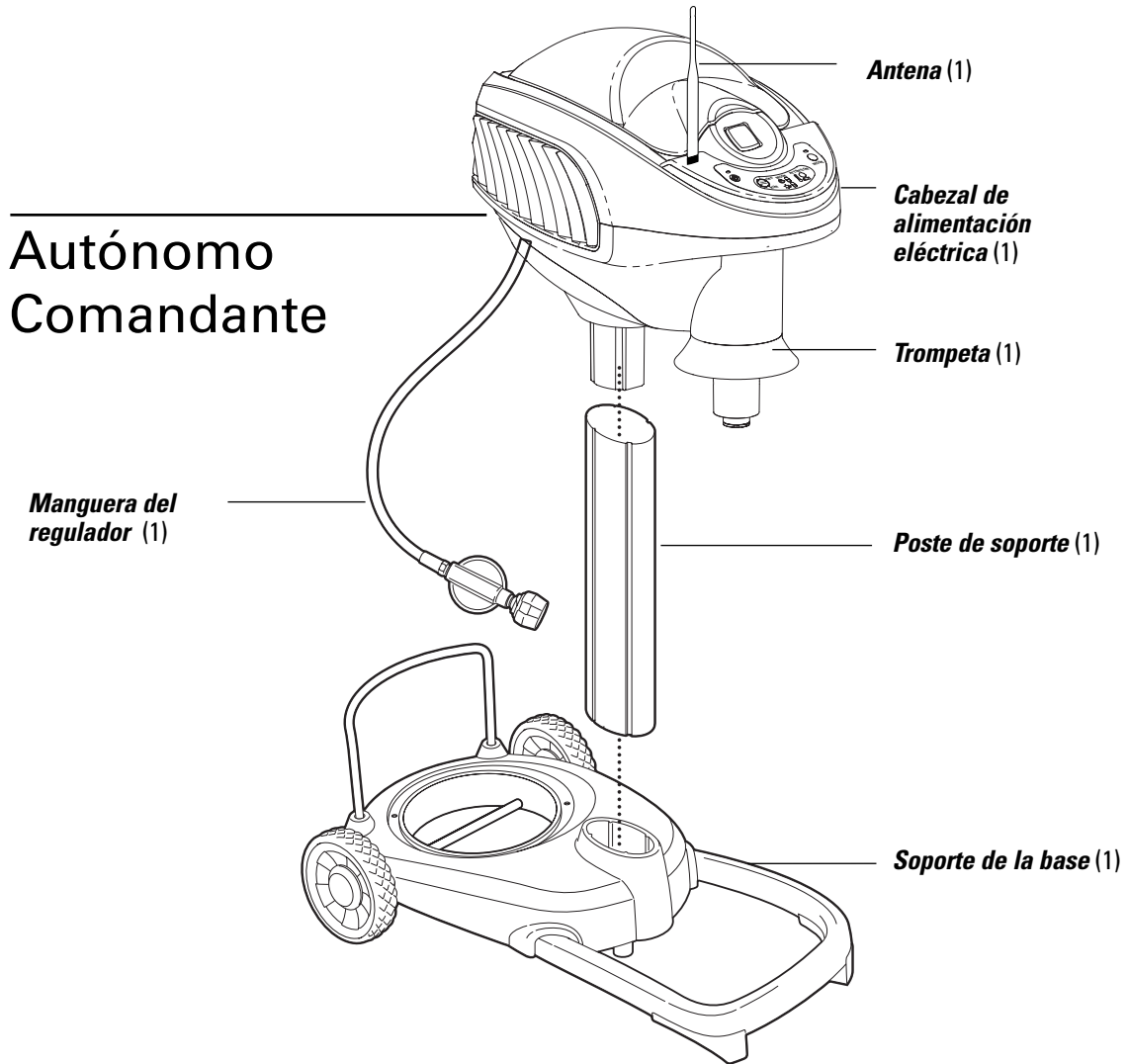
Si tiene preguntas, por favor, comuníquese con el Servicio de Atención al Cliente llamando al número:

1-800-953-5737

o visite www.mosquitomagnet.com

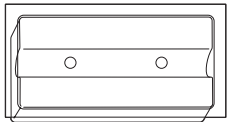


Partes principales



Partes incluidas

Cebo atrayente para insectos que pican Mosquito Magnet® a base de R-Octenol Reg. EPA No. 72563-5
(Cebo atrayente de corto rango)



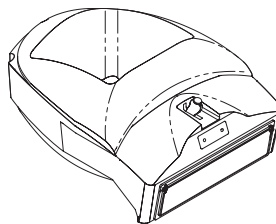
Antenna



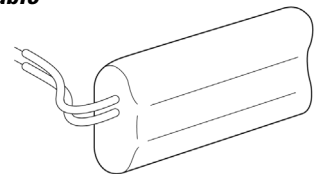
Adaptador Quick Clear



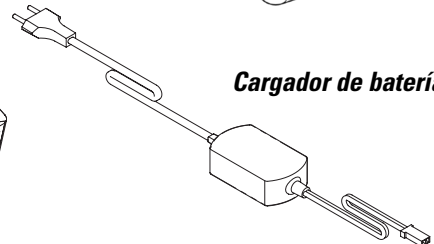
Bolsa para insectos



Batería recargable



Cargador de batería remoto

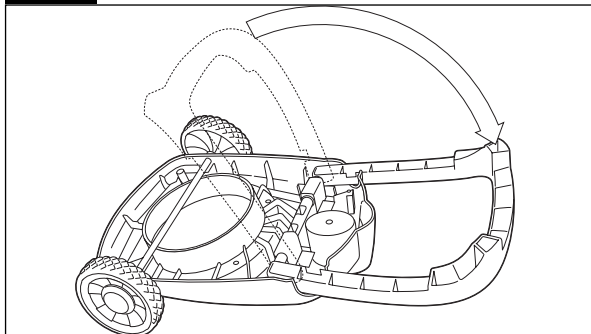


MOSQUITO MAGNET®

Instrucciones de ensamblaje

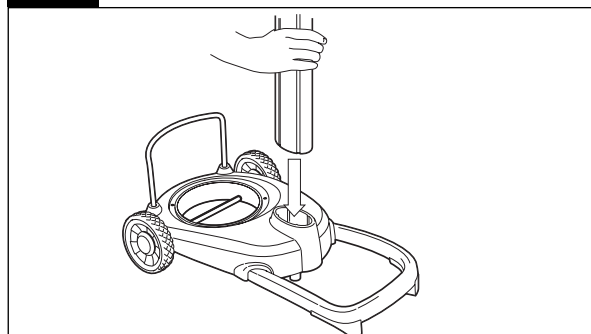
Ensamblaje de la trampa:

Paso 1



Coloque la base en una posición invertida sobre una superficie plana, despliegue la pata de apoyo en forma de U hasta que encaje en su lugar.

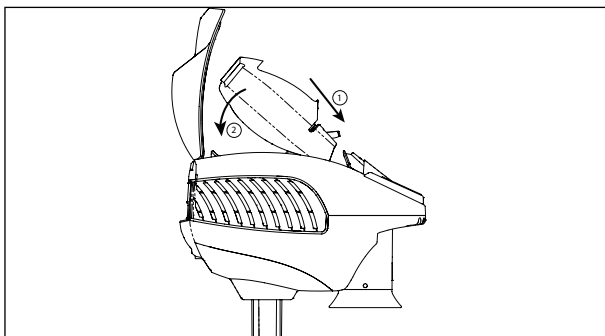
Paso 2



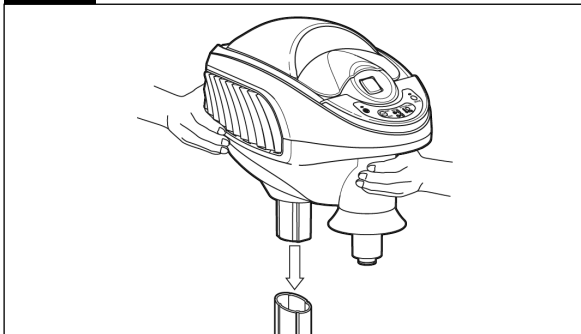
Voltee la base y el ensamblaje de la pata a su posición normal y coloque el poste de soporte dentro de la cavidad de la base.

Instalación de la bolsa para insectos:

Para insertar la bolsa para insectos, primero enganche la sección frontal/abierta y luego jale suavemente el extremo posterior hacia abajo para colocarla en su lugar.



Paso 3



Coloque el cabezal de alimentación eléctrica de la trampa en el poste. Presione firmemente hacia abajo con ambas manos hasta que esté asegurado.

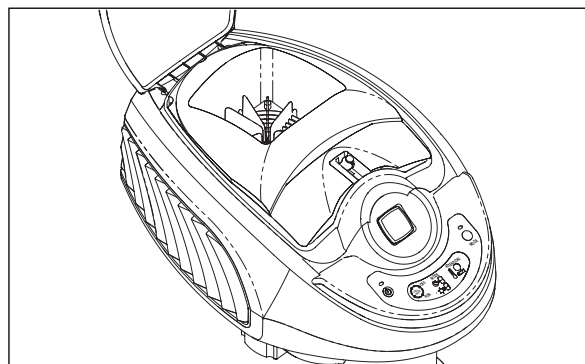
Una vez ensamblada la trampa, la parte frontal del cabezal de alimentación eléctrica/trompeta debe estar lo más lejos posible de las ruedas en la misma dirección que las patas en forma de U de la base.

Paso 4

La batería no viene completamente cargada de la fábrica; cargue la batería antes del primer uso. Si se usa de manera adecuada, una carga durará toda la temporada. Vea la página 6e para obtener más detalles.

Paso 5

Atornille la antena en la cara de la trampa y el giro hacia la derecha hasta bien conectado.



Instalación

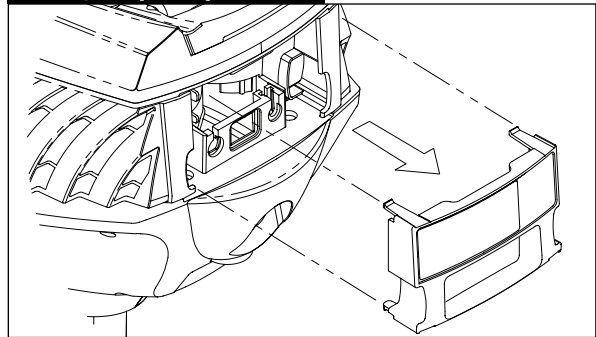
Instrucciones para cargar la batería

1. Retire de la parte trasera de la unidad del cabezal de alimentación eléctrica el panel de la cubierta (el panel se desenchaja). Presione el seguro de la batería y júlela hacia afuera de la trampa para desconectarla. Extraiga la batería jalando hacia arriba desde la parte inferior y girando la batería fuera de su posición.
2. El cargador de la batería no es apto para uso en exteriores. La batería debe cargarse en interiores.
3. Enchufe el cargador de la batería en un tomacorriente de interiores.
4. Conecte la batería recargable al cargador de batería.
5. El indicador LED del cargador de la batería se encenderá de color rojo cuando la batería esté cargándose. Cuando la batería esté totalmente cargada, el indicador LED cambiará a verde. El tiempo de carga típico es menos de dos horas.
6. El cargador de la batería es automático y surtirá una corriente segura de cada de mantenimiento cuando la batería esté totalmente cargada. No sobrecargará la batería. Para lograr la máxima vida útil de la batería, no la deje en el cargador por largos períodos de tiempo.
7. Cuando la batería esté totalmente cargada, desconecte la batería del cargador de batería y vuelva a colocarla en la unidad Mosquito Magnet® Commander.
8. Inserte y conecte la batería recargable.
9. Vuelva a colocar el panel de la cubierta en la parte trasera de la unidad del cabezal de alimentación eléctrica.

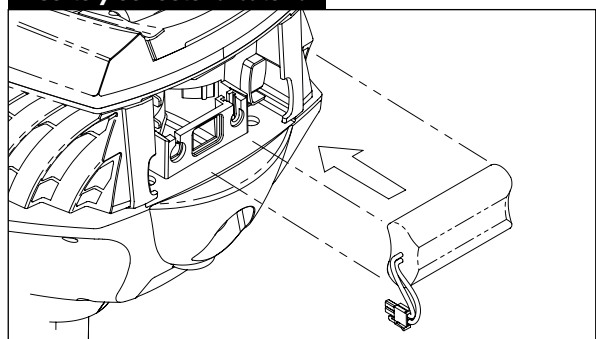
Ubicación de la trampa

1. Determine la dirección del viento predominante. Consulte los patrones del tiempo local si no está seguro.
2. Párese en el centro del área que intenta proteger y mire en dirección hacia el viento predominante.
3. La ubicación apropiada de la trampa será entre 9 y 12 m en frente de usted, con una cobertura de terreno de entre 1,5 y 1,8 m (es decir, arbustos, cantero de flores, líneas de árboles, pantano). Asegúrese que la trampa no esté ubicada contra objetos de bloqueo como edificios, cercas, etc.
4. Se recomienda ubicar la trampa en la sombra.
5. No coloque la trampa directamente debajo de una fuente de agua (rociadores, manguera, etc.).
6. La trampa debe colocarse sobre un piso plano para evitar que se voltee o que haya una distribución desigual del gas propano.
7. Para lograr una ubicación óptima de la trampa en su patio o jardín, consulte el CD-ROM con instrucciones incluido con la trampa; o visite www.mosquitomagnet.com para crear su propio diagrama de patio para una correcta ubicación de la trampa.

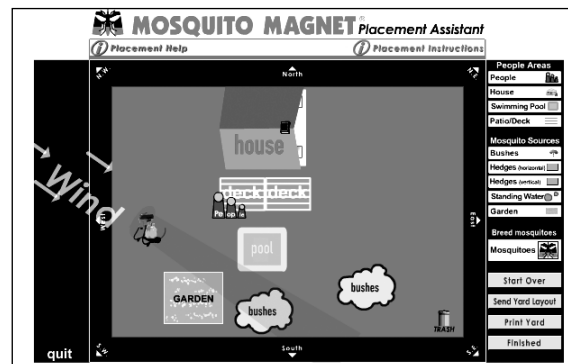
Extraiga el panel posterior



Inserte y conecte la batería



NOTA: Cerciórese de haber colocado el panel de la cubierta; la trampa no será impermeable sin el panel de la cubierta.



MOSQUITO MAGNET®

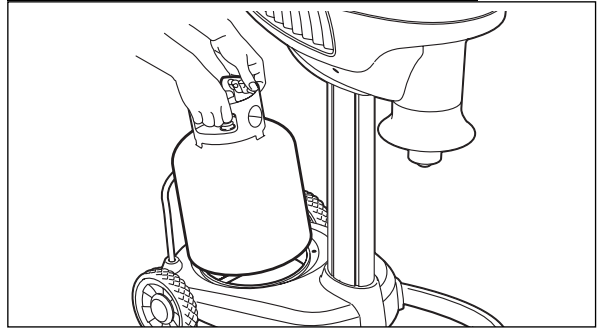
Instalación

Instalación del tanque de propano

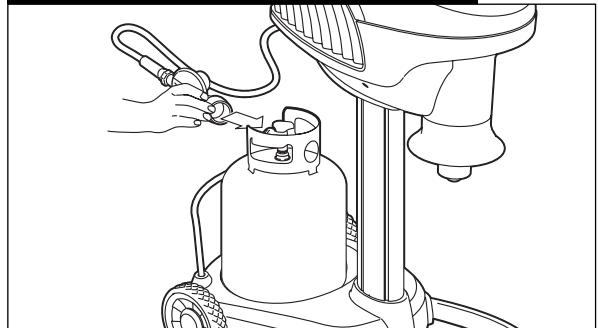
1. Después de colocar la trampa en su ubicación ideal, coloque el tanque de propano en el receptáculo moldeado.
2. Asegúrese que el tanque de propano esté completamente cerrado. Conecte la manguera del regulador de propano al tanque de propano. Asegure firmemente con la mano. **No utilice herramientas.**
3. Active el gas propano girando lentamente la válvula en sentido contrario a las manecillas del reloj. Tenga cuidado de no voltear muy rápidamente para evitar que se active la válvula de seguridad.

¡NO MUEVA LA TRAMPA CON EL TANQUE INSTALADO!
DEBE DESCONECTAR EL TANQUE DEL REGULADOR ANTES DE REUBICAR LA TRAMPA PARA EVITAR DAÑAR EL REGULADOR Y/O LA TRAMPA. TENGA PRESENTE QUE EL DAÑO CAUSADO POR NO CUMPLIR CON ESTA INSTRUCCION NO ESTÁ CUBIERTO POR LA GARANTIA.

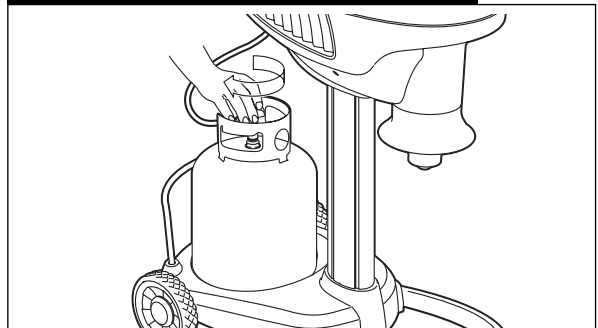
Paso 1 – Ubicación del tanque de propano



Paso 2 – Colocar el regulador



Paso 3 – Abrir la válvula lentamente



Instalación

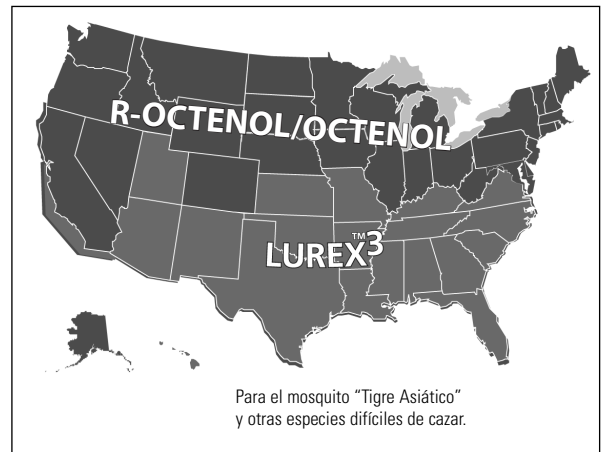
EL USO DEL CEBO ATRAYENTE APROPIADO OPTIMIZA LA EFICIENCIA DE CAZA DE LA TRAMPA.

Octenol Mosquito Magnet®

- Si vive en la parte norte de los EE.UU., o a lo largo de las áreas costeras de EE.UU., utilice un cartucho nuevo de Mosquito Magnet® Octenol cada vez que cambie el tanque de propano.

R-Octenol Mosquito Magnet®

- Al igual que Octenol, se utilizan para capturar / atraer a los insectos que pican.
- Los ingredientes activos en R-Octenol tienen una duración de 30 días - 40% más que el ordinario de Octenol.
- Aumenta la tasa de captura de hasta 10 veces.
- Ideal para los propietarios de las trampas con el Mosquito Magnet® Executive o al Commander.



Lurex³

- Si vive en la parte sur de los EE.UU., el mosquito "Tigre Asiático" puede ser la especie predominante en su área.
- Lurex³ es el cebo atrayente especialmente diseñado para capturar especies difíciles de cazar y agresivas que pican durante el día como el mosquito "Tigre Asiático".
- Para averiguar si Lurex³ es el adecuado para usted, vaya a www.mosquitomagnet.com/lurex.
- Utilice una unidad nueva de cartucho Lurex³ cada vez que cambie el tanque de propano.



MOSQUITO MAGNET®

Instalación

Instalación del cebo atrayente de r-octenol

1. Ubique el cebo atrayente para insectos que pican Mosquito Magnet® Octenol. Saque el paquete de cebo atrayente contra mosquitos de la bolsa. Desprenda cuidadosamente la cubierta de aluminio posterior.
2. Ubique el compartimiento para portar octenol que está dentro del tubo pluma. Gire la tapa en dirección contraria a las manecillas del reloj aproximadamente 1/8 de vuelta. Retire la tapa del extremo.
3. Coloque el cebo atrayente dentro del compartimento portador.
4. Vuelva a colocar la tapa del extremo en el compartimento portador. Asegúrese de alinear las "patas" de la tapa con las ranuras que están dentro del compartimento portador. Asegure la tapa volteándola en sentido de las manecillas del reloj hasta que encaje (aproximadamente 1/8 de vuelta).

Precauciones

Peligros para los seres humanos y los animales domésticos.

Precaución: Es peligroso si se ingiere. Evite que la piel, los ojos o la boca entren en contacto con los agujeros de evaporación. Lávese las manos antes de comer, beber, mascar chicle, consumir tabaco o utilizar los servicios higiénicos.

Primeros auxilios

En caso de ingestión

- Llame inmediatamente al centro de control de intoxicaciones o a un médico para solicitar consejo sobre tratamiento.
- Haga que la persona beba, a tragos cortos, un vaso de agua si puede ingerir.
- No induzca el vómito a menos que lo indique el centro de control de intoxicaciones o un médico.
- No dé nada por la boca a una persona inconsciente.

Si entra en contacto con la piel o la ropa

- Quítese la ropa contaminada.
- Enjuague la piel inmediatamente con bastante agua durante 15 a 20 minutos.
- Llame al centro de control de intoxicaciones o a un médico para solicitar consejos sobre tratamiento.

Si entra en contacto con los ojos

- Mantenga el ojo abierto y enjuague lenta y suavemente con agua durante 15 a 20 minutos.
- Quítese los lentes de contacto, si los tiene, después de los primeros 5 minutos, luego continúe enjuagando el ojo con agua.
- Llame al centro de control de intoxicaciones o a un médico para solicitar consejos sobre tratamiento.

En caso de inhalación

- Lleve a la persona al aire fresco.
- Si la persona no está respirando, llame al 911 o a una ambulancia, luego aplique respiración artificial, preferiblemente boca a boca, si es posible.
- Llame al centro de control de intoxicaciones o a un médico para solicitar consejo sobre tratamiento.

Tenga el contenedor o etiqueta del producto a la mano cuando llame al centro de control de intoxicaciones o al médico, o cuando vaya a recibir tratamiento.

Peligros medioambientales: No aplique directamente al agua. No contamine el agua al desechar el agua de limpieza o residuos de enjuague del equipo.

Instrucciones de uso:

Es una violación de la ley federal el utilizar este producto de una manera diferente a lo indicado en la etiqueta. Cambie el cartucho cada 21 días*

(Nota: Después de 21 días de uso, el cartucho tiene la misma apariencia. Sin embargo, ya no tendrá la misma eficiencia debido a que el octenol se habrá agotado).

*Basado en estudios de tasa de emisiones realizados en un ambiente a una temperatura de 80° F (27° C) durante 21 días. La emisión de octenol de este producto será mayor mientras más alta sea la temperatura del ambiente.

Paso 1



Paso 2



Paso 3



Paso 4



Almacenamiento y desecho

No contamine el agua, los alimentos, ni la comida para animales al momento de almacenar o desechar.

Almacenamiento: Almacene el cartucho de cebo atrayente sin abrir en un lugar fresco y seco. Deseche la bolsa de plástico externa en la basura.

Desecho: No vuelva a utilizar el cartucho con cebo atrayente. Deseche el cartucho con cebo atrayente en la basura.



Instrucciones

****LEA EL MANUAL ANTES DE EMPEZAR****

Cargue la batería según las instrucciones descritas en la página 6e. Si se usa de manera adecuada, la batería durará toda la temporada.

Instrucciones de inicio

Se recomienda leer el manual completamente antes de empezar a utilizar la trampa de Mosquito Magnet®.

1. Para encender la trampa, presione y mantenga presionado por tres segundos el botón ON/OFF (encendido/apagado) hasta que se ilumine el indicador LED anaranjado.
2. Aparecerá RUN (funcionando) en la pantalla. También parpadearán la palabra WARM (calentando) y las flechas indicadoras en la pantalla. El indicador LED (arriba del botón ON/OFF) estará de color anaranjado.
3. El ventilador cambiará gradualmente de baja velocidad a alta velocidad después de aproximadamente 3 minutos.
4. En la pantalla parpadeará la palabra WARM y el indicador LED estará de color anaranjado durante aproximadamente 15 a 25 minutos mientras calienta la trampa.
5. Cuando la trampa alcance la temperatura de operación, el indicador LED cambiará a verde y desaparecerá WARM de la pantalla.

Instrucciones de apagado

Para apagar la trampa, presione el botón ON/OFF (encendido/apagado). Aparecerá RUN en la pantalla. Parpadearán también la palabra COOL (enfriamiento) y las flechas indicadoras en la pantalla. El indicador LED estará de color verde. Después de un período de enfriamiento de dos minutos, se detendrá el ventilador. El indicador LED se apagará y la pantalla mostrará OFF (apagado).

Cuando no está en uso

Si la unidad no está en uso, debe desactivar el cilindro de suministro de gas. Puede guardar esta unidad en interiores sólo si desconecta y retira el cilindro. Los cilindros deben guardarse en exteriores, fuera del alcance de los niños. No deben guardarse en un edificio, ni en un garaje u otro lugar cerrado.

Almacenamiento al final de la temporada

Consulte las instrucciones de apagado anteriores antes de cerrar la válvula del tanque de gas propano y desconecte el regulador. Cierre la válvula del tanque de gas propano y desconecte el regulador. También desconecte la batería, pero asegúrese de no retirar la batería de la trampa.

Retire y deseche todo cebo atrayente Mosquito Magnet®. Consulte la etiqueta del cebo atrayente para obtener las instrucciones de desecho. También debe desecharse la bolsa de insectos antes de almacenar la trampa.

ALMACENAMIENTO: La trampa debe almacenarse en interiores en un garaje o cobertizo durante las estaciones que no se usa. Retirar y cubrir antena de trompeta para prohibir los insectos aniden. Cubra la unidad con la cubierta para trampa disponible en www.mosquitomagnet.com, o con una lona protectora y asegúrela firmemente a la base para evitar el polvo, las telarañas y otros residuos.

NOTA: Se recomienda utilizar el adaptador Quick Clear antes de guardar la trampa al final de la temporada para evitar que se acumulen contaminantes durante la temporada en que no se utiliza la unidad (vea la página 13e).

Para obtener óptimos resultados deje funcionar la unidad 24 horas al día

- La trampa empezará a cazar inmediatamente logrando una **reducción significativa de la población de zancudos y mosquitos en 7 a 10 días**. Permita que pasen 4 semanas para reducir significativamente la población de zancudos y mosquitos en su patio o jardín.



- Deje que la trampa se enfríe durante 5 minutos antes de volver a poner en marcha la unidad.
- Nunca rocíe insecticida en la trampa ni alrededor de ésta.
- La trampa puede funcionar bajo lluvia
- Si utiliza compuestos de cal o fertilizantes, asegúrese de apagar primero la trampa para evitar el ingreso de polvo o nebulización fina que pueden atorar la bolsa de insectos.

Advertencia: La instalación, ajuste, alteración, servicio o mantenimiento inadecuados pueden causar lesiones personales o daños materiales. Lea las instrucciones de instalación, operación y mantenimiento cuidadosamente antes de instalar o dar mantenimiento a este equipo.

Precaución: Debe utilizar el regulador de presión de gas que viene con este aparato. Este regulador está fijado para una presión de salida de 11.0 pulg. (28) de columna de agua.

Cuando este aparato no esté en uso, debe apagar el suministro de gas en el cilindro de suministro de gas propano.

Líder en soporte técnico al cliente 360°

- Línea directa de atención al Cliente: 1-800-953-5737
- Registro de productos en línea
- Visite www.mosquitomagnet.com para obtener consejos para la resolución de problemas e información sobre la ubicación de la trampa
- Centros de Servicio Local - información disponible en www.mosquitomagnet.com



MOSQUITO MAGNET®

10e

Tecnología Inteligente

Configuración de Modos de ahorro de gas

La trampa tiene la opción de funcionar 24/7 o en uno de los 4 modos de ahorro de gas que se puede extender la vida de su tanque de propano. El tanque de gas propano tendrá una duración de 21 días mediante la operación de su trampa 24/7, que se recomienda para la tasa de captura óptima. Por favor, consulte la tabla de abajo o en la sección de Panel de control del Comandante de la interfaz de usuario para ver el uso de propano correspondiente gastado en función del modo de operación.

Opciones	Duración del tanque*	Apagado durante el día	Apagado durante la noche
11-12	22 días	1 hora (11am-12pm)	1 hora (11pm-12pm)
11-1	24 días	2 horas (11am-1pm)	2 horas (11pm-1am)
11-2	27 días	3 horas (11am-2pm)	3 horas (11pm-2am)
11-3	30 días	4 horas (11am-3pm)	4 horas (11pm-3am)

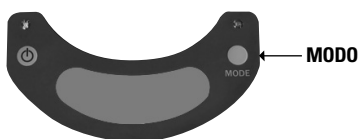
* Basado en un tanque de gas propano de 20 lb. (9,07 kg.)

Las opciones de ahorro de gas do modo que detener el uso de propano durante la hora del día y hora de la noche que usted eligió. La investigación ha demostrado la actividad del mosquito es el más bajo por lo general en estos plazos.

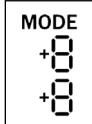
Nota: Para configurar el modo de trampa para un ahorro de gas, usted puede ir a la sección de Panel de control del Comandante de interfase de usuario y seleccione una opción. Para que este modo de trabajar, usted debe elegir una zona horario según su ubicación y determinar si está o no respetar el horario de verana. La obtención de esta información es necesaria para asegurarse de que su comandante sabe que la hora correcta del día.

Modos de ahorro de combustible

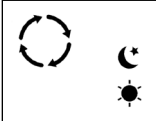
1. Presione el botón MODE (modo) para seleccionar el ajuste del modo de ahorro de gas.



2. Cada vez que se presiona el botón MODE, el modo alterna entre los modos 1, 2, 3, 4, apagado, 1, etc.

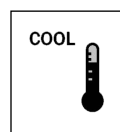


3. El Modo 1 desactivará la trampa 1 hora a mitad del día y 1 hora a mitad de la noche. Los modos 2, 3 y 4 corresponden a 2, 3 y 4 horas de desactivación respectivamente.

4.  Para indicar que la trampa está en el modo de ahorro de combustible, parpadearán las flechas y se apagará la luz LED verde. Adicionalmente, el elemento Sol parpadeará durante el día y el elemento Luna parpadeará

durante la noche cuando la trampa esté en el modo de ahorro de combustible. El ventilador continuará funcionando en la trampa, a una velocidad reducida, para evitar que se escapen los zancudos, pero no capturará insectos adicionales durante este período de tiempo.

5. Si la trampa se establece en el modo de ahorro de energía, la batería debe desconectarse y luego reconectarse cada vez que se vuelva a llenar el tanque de gas propano. Es necesario desconectar la batería para restablecer el temporizador de ahorro de energía.



Desactivación por temperatura fría

La trampa tiene un sensor de temperatura que automáticamente la puesta en marcha o apagado de la trampa por sí mismo cuando la lectura de la temperatura está por encima o por debajo de una temperatura seleccionada. Utilizando el panel de control del mando de la interfaz de usuario tiene la opción de seleccionar a 45°, 40, o 35 para servir como su cierre de temperatura fría. El cierre se recomienda a bajas temperaturas es de 50 grados. La investigación ha demostrado que no hay actividad de mosquitos muy poco durante este período de tiempo.

Si la trampa se ejecuta (RUN palabra es visible y la luz LED verde encendido) y la temperatura cae por debajo de la temperatura seleccionada (50, 45, 40 o 35 grados) de la trampa se cerrará. Cuando la trampa está en modo de enfriamiento, la palabra COOL y el icono del termómetro parpadeará en la trampa. Una alerta aparecerá en el escritorio de su comandante de la interfaz de usuario para mostrar cuando la trampa está en el modo de enfriamiento. La trampa se reiniciará cuando el sensor de temperatura indica la temperatura del aire es de 5 grados por encima de la temperatura seleccionada.

ATTENTION!



Advertencia sobre batería baja

El icono de batería y la palabra ATTENTION (Atención) parpadearán si necesita recargarse la batería.

Bloqueo de seguridad para los niños

El botón ON/OFF (encendido/apagado) debe presionarse durante 3 segundos para encender la trampa.



Mantenimiento

Mantenimiento

Si está usando uno de nuestros modos de ahorro de combustible, asegúrese de ajustar las fechas indicadas en la siguiente tabla (vea la tabla en la página 11e para coordinar el programa de mantenimiento con el modo de operación).

• **Ciclo de mantenimiento de 21 días - para un rendimiento óptimo**

- Recargue el gas propano. (El propano dura aproximadamente 21 días con un funcionamiento de 24 horas durante 7 días.)
- Cambie el cartucho de cebo atrayente de corto alcance. Consulte la etiqueta del cebo atrayente Mosquito Magnet® para obtener instrucciones.
- Vacíe o cambie la bolsa de insectos.
- Utilice el adaptador Quick Clear cada vez que cambie el tanque.
- Periódicamente limpie el exterior de la trampa con un trapo limpio y húmedo.

- Cargue la batería durante 24 horas al comienzo de la temporada.

Consejos para cambiar el tanque de propano

Al conectar la perilla del regulador a un tanque después de un cambio de tanque, asegúrese de ajustar completamente la perilla del regulador al tanque. No necesita utilizar herramientas, pero asegúrese de girar la perilla todo lo posible a mano. Después de hacer esto, afloje la perilla 1/4 de vuelta, luego vuelva a ajustar para lograr el sello máximo.

El propósito de esto es enganchar el regulador completamente al tanque. Si el regulador no está completamente enganchado, puede restringirse el flujo de gas al punto en que la trampa indicará el código de falta de gas. Si esto ocurre, presione el botón OFF (apagado), cierre la válvula del tanque, y retire el regulador del tanque. Vuelva a colocar el regulador e intente nuevamente.

Cronograma de mantenimiento

Nota: Las bolsas de insectos deben cambiarse cuando estén llenas hasta la mitad. Puede encontrar todos los accesorios que necesita en www.mosquitomagnet.com o en una ferretería o tienda de artículos para mejora del hogar con certificación para Mosquito Magnet.

	Ejemplo:	Estación 1	Estación 2	Estación 3	Estación 4
Fecha de compra	4/1				
Registro de la garantía	4/1				
Fecha de inicio	4/1				
SERVICIO:					
Ajuste estacional		3/15			
MANTENIMIENTO:					
Gas propano, cebo atrayente y cambio de la bolsa de insectos	4/21				
Cartucho Quick Clear	4/21				
Gas propano, cebo atrayente y cambio de la bolsa de insectos	5/11				
Cartucho Quick Clear	5/11				
Gas propano, cebo atrayente y cambio de la bolsa de insectos	5/31				
Cartucho Quick Clear	5/31				
Gas propano, cebo atrayente y cambio de la bolsa de insectos	6/20				
Cartucho Quick Clear	6/20				
SERVICIO-PREPARACIÓN PARA EL INVIERNO					
Deseche la bolsa de insectos y el cebo					
Cubra la trompeta de la trampa para evitar los nidos de insectos					
Mantenga el producto en el garaje o en el cobertizo					



MOSQUITO MAGNET®

Válvula Easy Quick Clear

⚠ **Importante:** Apague todos los materiales que emiten humo antes de utilizar la válvula Easy Quick Clear. No se pare detrás del cartucho Quick Clear durante el funcionamiento.

⚠ **Se recomienda usar gafas PROTECTORAS.**

⚠ **Importante:** Apague la trampa. Deje funcionar el ventilador hasta que se detenga antes de usar los cartuchos Quick Clear (aproximadamente 5 minutos).

Se recomienda usar Quick Clear para el mantenimiento regular con el fin de retirar los contaminantes acumulados .

Se recomienda usar cada vez que cambie el tanque. También se recomienda usar antes del almacenamiento de fin de temporada para evitar la acumulación de contaminantes durante la temporada que la unidad no se usa. Las instrucciones para el procedimiento de mantenimiento de la válvula Easy Quick Clear se encuentran en la etiqueta adherida a la trampa y en un lugar de fácil lectura para el usuario.

La válvula Easy Quick Clear es una perilla roscada ubicada en la parte posterior de la trampa. Debe utilizarse conjuntamente con el adaptador que viene con la trampa y un cartucho roscado Quick Clear disponibles en nuestro website: www.mosquitomagnet.com o en una ferretería o tienda local de artículos para mejora del hogar.

1. **Importante:** Apague la trampa. Deje funcionar el ventilador hasta que se detenga antes de usar los cartuchos Quick Clear (aproximadamente 5 minutos).
2. Cierre la válvula del tanque de propano colocándola en la posición "OFF" (apagado). (Gire la válvula del tanque en sentido de las manecillas del reloj.)
3. Retire la tapa protectora de la válvula Easy Quick Clear ubicada en la parte posterior de la trampa.
4. Entornille a mano el adaptador Quick Clear a la válvula Easy Quick Clear hasta que esté sienta con el dedo que está firmemente ajustada.
5. Entornille a mano el cartucho Quick Clear al adaptador Quick Clear girando en sentido de las manecillas del reloj hasta que sienta con la mano que está firmemente ajustado, mientras sujeta adaptador en su lugar. **Importante:** No ajuste excesivamente.
6. Mientras sujeta el adaptador en su lugar, desentornille despacio el cartucho Quick Clear del adaptador Quick Clear hasta 1/4 de vuelta solamente en sentido contrario a las manecillas del reloj. El flujo fuerte de aire comprimido dura aproximadamente 45 segundos. Asegúrese de dejar que el cartucho Quick Clear se consuma completamente. (El silbido se detendrá cuando el tanque esté vacío. El cartucho Quick Clear estará frío al tacto.)
7. Desentornille el cartucho Quick Clear para retirarlo. Descarte el cartucho Quick Clear vacío después de usar, no puede volverse a usar ni cargarse nuevamente.
8. Desentornille el adaptador Quick Clear para retirarlo. Tenga cuidado al retirar el adaptador y el cartucho Quick Clear, ya que puede salir un poco de aire comprimido en este momento. Recuerde guardar el adaptador Quick Clear para uso futuro.
9. Vuelva a colocar la tapa protectora de la válvula Easy Quick Clear, y proceda con el inicio normal de la trampa. Si el uso de la válvula Easy Quick Clear no resuelve el problema de inicio, comuníquese con el Servicio de Atención al Cliente llamando al **1-800-953-5737**.

Paso 4



Primero entornille a mano el adaptador Quick Clear en la válvula.

Paso 5



Mientras sujeta el adaptador en su lugar, entornille el cartucho Quick Clear en el adaptador Quick Clear.

Paso 6



Para empezar el proceso de limpieza, sujete el adaptador Quick Clear en su lugar y desentornille el cartucho Quick Clear. **1/4 de vuelta solamente.**





Paso 7



Desentornille el cartucho Quick Clear primero, luego desentornille el adaptador Quick Clear y deseche el cartucho Quick Clear vacío. Recuerde guardar el adaptador Quick Clear para uso futuro.



Solución de problemas

Problema	Causa probable	Soluciones
<p>La unidad no arranca La unidad no continúa funcionando LCD  ATTENTION! LED—El indicador LED rojo parpadea a intervalos de 7 segundos</p>	<ol style="list-style-type: none"> 1. El tanque de gas propano puede estar vacío. 2. Si el tanque de gas propano es nuevo y se ha llenado recientemente, debe purgarse. 3. Una conexión puede estar floja. 4. La línea de combustible puede estar bloqueada por contaminantes del gas propano. 5. El regulador no está completamente enganchado. 6. La bolsa de insectos puede estar llena u obstruida. 	<ol style="list-style-type: none"> 1. Pese el tanque y compárelo con el peso del tanque “vacío”. 2. Lleve el tanque al centro de llenado. Es posible que haya aire en la línea de combustible. Solicite que se purgue el tanque. 3. Verifique todas las conexiones. Asegúrese de que la válvula del tanque de gas propano esté completamente abierta. 4. Reemplace la bolsa para insectos.
<p>La unidad no continúa funcionando LCD  ATTENTION! LED—Parpadea de color rojo/anaranjado a intervalos de 7 segundos</p>	<ol style="list-style-type: none"> 1. Bajo voltaje de la batería 	<ol style="list-style-type: none"> 1. Cargue la batería antes de usar la unidad por primera vez y al comienzo de cada temporada. El indicador LED del cargador se encenderá de color verde cuando la batería esté totalmente cargada. 2. Revise la conexión de la batería; asegúrese de que esté totalmente insertada y enganchada. 3. Si una batería totalmente cargada indica bajo voltaje de la batería durante el ciclo, recargue o reemplace la batería.
<p>La unidad se apaga LCD  ATTENTION! LED—Parpadea de color rojo/verde a intervalos de 7 segundos</p>	<ol style="list-style-type: none"> 1. Alta temperatura 	<ol style="list-style-type: none"> 1. Apague la trampa y deje que se enfríe durante una hora, luego vuelva a encenderla. Si el código persiste, llame al Servicio de Atención al Cliente al: 1-800-953-5737.
<p>La unidad se apaga LCD  ATTENTION! LED—Parpadeo doble del indicador LED rojo a intervalos de 7 segundos</p>	<ol style="list-style-type: none"> 1. Fallo del termistor 	<ol style="list-style-type: none"> 1. Comuníquese con el Servicio de Atención al Cliente llamando al: 1-800-953-5737.
<p>La unidad se apaga LED – Rojo fijo</p>	<ol style="list-style-type: none"> 1. Fallo eléctrico 	<ol style="list-style-type: none"> 1. Comuníquese con el Servicio de Atención al Cliente llamando al: 1-800-953-5737.
<p>Ninguna caza o bajo nivel de caza</p>	<ol style="list-style-type: none"> 1. Es posible que todavía no hayan salido los insectos. 2. Problema con la ubicación de la trampa. 3. No se han interrumpido aún los ciclos reproductivos de los insectos que pican. 4. La tecnología de flujo inverso “Counterflow” puede estar interrumpida. 	<ol style="list-style-type: none"> 1. Verifique que la temperatura esté constantemente sobre el nivel de 50°F (10°C). 2. Siga los pasos descritos en la sección “Ubicación de la trampa” del manual del propietario, o consulte el CD-ROM de instrucciones incluido con la trampa. 3. Mantenga la trampa en operación constante 24 horas al día, 7 días a la semana durante por lo menos 4 semanas para reducir la población de mosquitos. 4. El flujo de aire puede estar restringido. Comuníquese con su proveedor de servicio local.

Customer Care **Please have your serial number, date of purchase & model type available**

All of us at Woodstream® Corporation want you to get complete satisfaction from your trap. Should you have any problems you cannot resolve, simply call one of our trained Customer Care Representatives at **1-800-953-5737** or visit **www.mosquitomagnet.com**. We will help you get up and running.



MOSQUITO MAGNET®

Garantía limitada

Garantía limitada

Esta garantía por (1) año a partir de la fecha de la compra de la unidad, se extiende sólo al comprador/usuario original de los productos. Esta garantía limitada comienza en la fecha de compra original y es válida sólo para productos comprados y usados en los Estados Unidos.

Woodstream® Corporation garantiza que sus productos están libres de defectos en materiales y mano de obra por el período de garantía otorgado al comprador/usuario original.

Para obtener el servicio de garantía, por favor comuníquese con el Servicio de Atención al cliente llamando al (800) 953-5737. Por favor, indique la naturaleza del defecto. El servicio de garantía sólo puede realizarlo un Centro de Servicio Certificado por Mosquito Magnet.

Si Woodstream Corporation determina que puede haber un defecto, Woodstream Corporation le entregará un número de Autorización de Devolución de Producto (RGA, por las siglas en inglés de Return Goods Authorization). La unidad o partes defectuosas deben devolverse para la inspección de garantía utilizando el número RGA, si corresponde, como identificación, dentro de un plazo de (30) días a partir de la fecha de autorización de la devolución.

NO devuelva los productos a nuestra fábrica sin consentimiento previo ya que los mismos, así como los envíos con pago al momento de entrega (C.O.D.) serán rechazados.

Woodstream Corporation o un agente, como opción alternativa, reemplazarán la unidad, reemplazarán la parte o partes defectuosas y le devolverán la unidad a usted. La única obligación de Woodstream Corporation y el único recurso que tiene usted bajo esta garantía se limitará a dicho reemplazo.

Limitaciones y exclusiones:

La garantía no se aplicará a problemas que resulten del desgaste normal o por el hecho de no seguir las instrucciones que se adjuntan. Adicionalmente, la presente garantía no se aplicará a productos con números de serie si el número de serie ha sido retirado o borrado; productos sometidos a negligencia, accidente, operación, mantenimiento o almacenamiento inapropiados; productos dañados por circunstancias fuera del control de Woodstream Corporation; productos modificados (tales como, entre otras, modificaciones como resultado del uso de partes o aditamentos no autorizados) o reparados por personas que no sean de Woodstream Corporation o las personas que la compañía designe.

La presente garantía reemplaza a todas las otras garantías, explícitas o implícitas tales como, entre otras, las garantías implícitas de comercialización e idoneidad para un propósito particular. No se extenderá por un plazo mayor a la duración de la garantía expresa indicada en la presente, y el recurso por las violaciones de cualquier garantía se limitará a la reparación o reemplazo del producto defectuoso en conformidad con los términos aquí especificados. Woodstream Corporation no será responsable por daños consecuentes o incidentales de ninguna clase.

Esta garantía le proporciona a usted derechos legales específicos y también puede tener otros derechos legales que pueden variar según el lugar.



Registro del producto

Registre el producto en línea en www.mosquitomagnet.com o envíe por correo el formulario debidamente llenado hoy mismo:
Woodstream® Corporation, Attn: Mosquito Magnet® Consumer Care, 69 North Locust Street, Lititz, PA 17543

Nombre	Apellido		
Dirección			
Ciudad	Estado/provincia	Código postal	País
Número de teléfono	Dirección de correo electrónico		<input type="checkbox"/> Si, deseo recibir actualizaciones del producto por correo.

1. ¿Dónde compró este producto?

Sitio web _____ Nombre de la tienda _____ Centro de servicios _____

2. ¿Cómo se enteró acerca de Mosquito Magnet®? (marque todas las respuestas que correspondan)

Propaganda de radio Correo Propaganda de la TV Amigo/familiar Sitio web Propaganda de revista
 Propaganda de periódico Artículo en revista (periódico, revista, TV, etc.) Catálogo Muestra en la tienda Otros

3. En su casa, ¿quién decidió la compra de Mosquito Magnet?

Hombre Mujer Ambos

4. ¿Cuál es su estado civil?

Soltero/a Casado/a

5. ¿Hay niños en su hogar?

Sí No

6. ¿Cuáles son las dos razones más importantes que influenciaron su compra?

Protección contra mosquitos que pueden transmitir enfermedades Comodidad
 La ciencia/tecnología del producto Regalo
 Recomendación de un amigo/familiar Otros
 Recomendación de un vendedor

7. ¿Cuál es su edad?

25 – 35 36 – 45 46 – 55 56 – 65 66+

8. ¿Cuál es su nivel de educación?

Diploma de secundaria Título universitario Título de maestría Título de doctorado Técnico/profesional

9. ¿Cuál es su ingreso familiar anual?

\$25,000 – 39,999 \$40,000 – 59,999 \$60,000 – 89,999 Over \$90,000

10. ¿Qué otra marca de producto contra mosquitos ha intentado utilizar?

Cazadores Rociadores Pesticidas Otras trampas en base a CO₂, Nombre: _____

11. ¿Estaría dispuesto a ofrecer un testimonio después de estar completamente convencido de la efectividad de la trampa Mosquito Magnet?

Sí No

12. ¿Están las instrucciones de ensamblaje y operación explicadas clara y simplemente?

Sí No

13. ¿Necesitó atención al cliente?

Sí No

INFORMACION NECESARIA

Con el fin de registrar este producto correctamente con Woodstream® Corporation, es necesario obtener la información siguiente.

Modelo: Encierre en un círculo uno de los siguientes

Patriot Independence Executive

No. de serie:

Fecha de compra:

Por favor, visite www.mosquitomagnet.com para obtener información sobre un proveedor de servicio local.

Confidencialidad del consumidor: Toda la información recolectada en esta tarjeta de respuesta es solamente para propósitos de venta y marketing de Woodstream® Corporation. Ninguna parte de la información que usted proporcione será vendida o alquilada a otra compañía, organización o agente para ningún propósito. Ninguna parte de esta información será colocada en el sitio web de la compañía ni en ningún otro medio que pueda ser de acceso público. Si desea realizar comentarios o testimonios adicionales acerca del producto, por favor diríjalos por separado y envíelos a nuestro Departamento de Marketing a la dirección que aparece dentro del manual.



MOSQUITO MAGNET®

16e

